

(12) INTERNATIONAL APPLICATION PUBLISHED UNDER THE PATENT COOPERATION TREATY (PCT)

(19) World Intellectual Property Organization
International Bureau



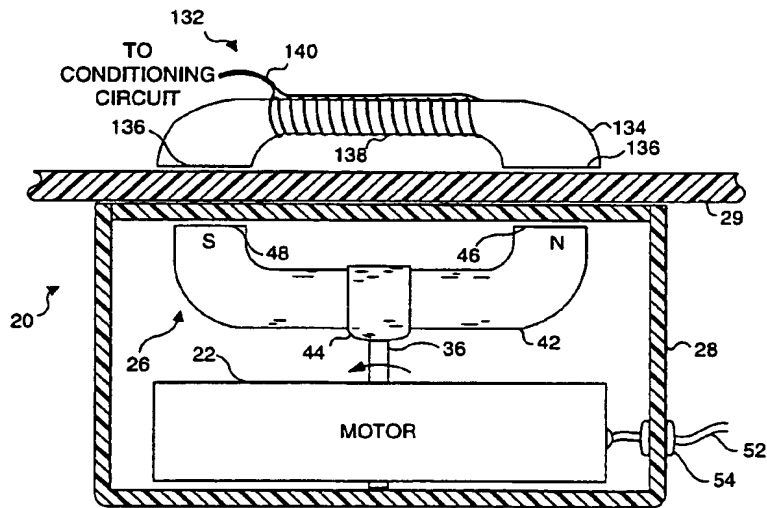
(43) International Publication Date
18 October 2001 (18.10.2001)

PCT

(10) International Publication Number
WO 01/78216 A1

- (51) International Patent Classification⁷: H02K 01/27, 35/02, H01M 10/46 Avenue S.E., Enumclaw, WA 98022 (US). WILKERSON, Brian; 18223 S.E. 42nd Place, Issaquah, WA 98027 (US).
- (21) International Application Number: PCT/US01/11545 (74) Agent: ANDERSON, Ronald; Suite 507, 600 108th Avenue N.E., Bellevue, WA 98004 (US).
- (22) International Filing Date: 10 April 2001 (10.04.2001)
- (25) Filing Language: English (81) Designated States (national): AU, CA, JP.
- (26) Publication Language: English (84) Designated States (regional): European patent (AT, BE, CH, CY, DE, DK, ES, FI, FR, GB, GR, IE, IT, LU, MC, NL, PT, SE, TR).
- (30) Priority Data: 09/547,700 11 April 2000 (11.04.2000) US
- (71) Applicant: LIGHT SCIENCES CORPORATION [US/US]; Suite L-2, 1065 - 12th Avenue N.W., Issaquah, WA 98027 (US). Published: — with international search report
- (72) Inventors: CHEN, James; 2011 87th Place N.E., Bellevue, WA 98004 (US). HUSTON, Darrin; 37330 246th
- For two-letter codes and other abbreviations, refer to the "Guidance Notes on Codes and Abbreviations" appearing at the beginning of each regular issue of the PCT Gazette.*

(54) Title: CONTACTLESS ENERGY TRANSFER APPARATUS



(57) Abstract: A flux generator base unit (20) electromagnetically coupled with a receiving unit to transfer energy into the receiving unit. The base unit (20) includes one or more permanent magnets (42) that produce a magnetic flux, which passes through a receiver coil (30) in the receiving unit. The receiver coil (30) is either disposed in a separate housing (29) that is electrically connected with a portable device, or integrated into the housing of the portable device. Either the permanent magnets (42) or a flux shunt (214) is moved in the base unit to produce the varying magnetic flux that is coupled to the receiver coil. As a result of the varying magnetic field experienced by the receiver coil, an electric current is induced in the receiver coil, which is conditioned (e.g., rectified, filtered, and regulated) by a conditioning circuit (34) to charge a battery or energize electronics contained in the portable device.

WO 01/78216 A1

CONTACTLESS ENERGY TRANSFER APPARATUS

Field of the Invention

The present invention generally pertains to contactless transfer of electrical energy, and more specifically, to the contactless transfer of electromagnetic energy between disparate devices by moving a magnet in one of the devices to vary a magnetic flux experienced by the other device.

Background of the Invention

Many of today's portable consumer devices, including palm-sized computers, games, flashlights, shavers, radios, CD players, phones, power tools, small appliances, tooth brushes, etc., are powered by rechargeable batteries. The batteries in these devices, which are typically of the nickel-cadmium, lead-acid, nickel-metal-hydride, or lithium-ion type, must be recharged periodically to enable the continued use of the devices.

There are several methods used in the prior art to recharge such batteries. For example, many manufacturers produce rechargeable batteries corresponding to conventional AAA, AA, A, B, C, and D sizes, which are typically recharged using a charger station that is adapted to charge a certain size battery or a plurality of different size batteries. In addition, many power tool manufacturers produce lines of portable tools energized by batteries that are not of the standard sizes listed above, but which often share a common form factor and voltage rating. These batteries are typically recharged by removing the battery from the tool and charging it in a specially-adapted charger specific to that manufacturer's line of tools and specifically designed to recharge batteries of that voltage. In order to recharge both conventional-size batteries and the more specialized portable power tool batteries, it is generally necessary to remove the batteries from the portable device and attach them to their respective chargers, and after they are recharged, the batteries must be reinstalled in the portable device. This task is unduly burdensome and time-consuming for the user.

In order to avoid the burden associated with the foregoing task, some portable consumer devices include a charge-conditioning circuit (either internally

or externally) that can be used with a conventional power source, such as a wall outlet, to provide a conditioned direct current (DC) at a voltage suitable for recharging a battery contained in the device. For example, it is common for electric shavers to include a charge-conditioning circuit that enables a nickel-cadmium (or other type) battery retained in the shaver to be recharged by plugging the shaver into a line voltage outlet. Similarly, some flashlights have an integrated connector that allows them to be recharged by simply plugging them into a wall outlet. In addition, certain devices such as portable hand vacuum cleaners use a "base" charger unit for both storing the device between uses and recharging the battery. When the portable device is stored in the base unit, exposed terminals on the device are connected through contacts on the base unit to a power supply energized with line current, thereby providing a conditioned DC current to charge the battery within the portable device.

In all of the foregoing examples, as is true of the majority of devices that use rechargeable batteries, some sort of interface comprising an electrical connection (i.e., contact) is used to provide an appropriate DC voltage for recharging the batteries. However, the use of contacts to connect a battery to a recharging current is undesirable, as they are susceptible to breakage, corrosion, and may present a potential safety problem if used improperly or inadvertently shorted. The shape and configuration of these contacts are also generally unique to individual devices, or a manufacturer's product line, making it impractical to provide a "universal" charging interface that includes contacts.

Recognizing the problems with recharging batteries with current supplied through electrical contacts, several manufacturers now offer "contactless" battery-charging devices. These charging devices are generally of two types – inductive charging systems, and infrared charging systems. Inductive charging systems include an electromagnetic or radio frequency coil that generates an electromagnetic field, which is coupled to a receiver coil within the device that includes a battery requiring recharging. For use in recharging a battery in a handheld powered toothbrush, a relatively high-frequency current is supplied to the transmitter coil in a base for the handheld toothbrush, thereby generating a varying magnetic field at a corresponding frequency. This magnetic field is inductively coupled to a receiver coil in the toothbrush housing to generate a battery charging current. Another example of such a system is the IBC-131 contactless inductive charging system by TDK Corporation, which switches a nominal 141 volt, 20 mA (max) input current to a transmitter coil at 125 kHz to produce a 5 volt DC output at 130 mA in a receiver coil.

A different contactless system for charging batteries is an infrared charging system employing a light source as a transmitter and a photocell as a receiver. Energy is transferred from the source to the receiving photocell via light rather than through a magnetic field.

5 Both inductive and infrared charging systems have drawbacks. Notably, each system is characterized by relatively high-energy losses, resulting in low efficiencies and the generation of excessive heat, which may pose an undesirable safety hazard. Additionally, the transmitter and receiver of an inductive charging system generally must be placed in close proximity to one another. In the
10 above-referenced TDK system, the maximum gap between the receiver and transmitter is 4 mm. Furthermore, in an infrared system, the light source and/or photocell are typically protected by a translucent material, such as a clear plastic. Such protection is typically required if an infrared charging system is used in a portable device, and may potentially affect the aesthetics, functionality, and/or
15 durability of the device.

It would therefore be desirable to provide a contactless energy transfer apparatus suitable for use with portable consumer devices that allows a greater spacing between the transmitter and receiver elements, and provides improved efficiency over the prior art. Furthermore, it is preferable that such an apparatus
20 provide a contactless "universal" interface for use with a variety of different types and/or different sizes of devices made by various manufacturers.

Summary of the Invention

In accord with the present invention, an energy transfer apparatus is defined that is adapted for magnetically exciting a receiver coil that includes a
25 core of a magnetically permeable material, by causing an electrical current to flow in the receiver coil. The energy transfer apparatus includes a magnetic field generator that is enclosed in a housing and includes at least one permanent magnet. The housing is adapted to be disposed proximate another housing in which the receiver coil is disposed. A prime mover is drivingly coupled to the
30 magnetic field generator to cause an element of the magnetic field generator to move relative to its housing. Movement of the element produces a varying magnetic field that couples with the core of the receiver coil and induces an electrical current to flow in the receiver coil.

The prime mover of the energy transfer apparatus preferably comprises an
35 electric motor, but can include other types of devices capable of moving the element. For example, a hand crank can be employed for moving the element. In one form of the invention, the prime mover is disposed within the housing in

which the magnetic field generator is enclosed. Alternatively, the prime mover is disposed remote from the magnetic field generator and is coupled to the magnetic field generator through a drive shaft.

5 In several embodiments of the invention, the prime mover moves the permanent magnet relative to the receiver coil. Movement of the permanent magnet varies a magnetic flux along a path that includes the receiver coil. Increasing a speed at which the permanent magnet is moved increases a magnitude of the electrical current induced in the receiver coil.

10 In one embodiment, the permanent magnet is reciprocated back and forth relative to the receiver coil. The reciprocating movement of the permanent magnet varies a magnetic flux along a path that includes the receiver coil.

15 A flux linkage bar formed of a magnetically permeable material is preferably disposed adjacent a magnetic pole of the permanent magnet. The flux linkage bar enhances the coupling of magnetic flux from a pole of the permanent magnet into a path that includes the receiver coil.

20 In several embodiments, the magnetic field generator preferably comprises a plurality of permanent magnets. An adjustment member is included to selectively vary a maximum magnetic flux produced by the magnetic field generator for coupling with the receiver coil. A speed control is used as the adjustment member in one embodiment.

In another embodiment, the permanent magnets include a "driven" permanent magnet that is moved by the prime mover, and a "follower" permanent magnet that is magnetically coupled to the driven permanent magnet and is moved by its motion.

25 In yet another embodiment, the permanent magnets are fixed relative to the housing, and the moving element comprises a flux shunt that is moved by the prime mover to intermittently pass adjacent to pole faces of the plurality of permanent magnets so as to intermittently provide a magnetic flux linkage path between the pole faces that effectively shunts the magnetic flux. When the magnetic flux is thus shunted, substantially much less magnetic flux couples to the receiver coil. The shunting of the magnetic flux through the moving element effectively periodically "shuts off" the magnetic field produced by the permanent magnets that would otherwise be experienced by the receiving coil, producing the varying magnetic field.

35 A further technique for adjusting the maximum magnetic field employs a plurality of turns of a conductor that are wound around each the plurality of permanent magnets. The plurality of turns of the conductor are connected to a

source of an electrical current, producing a magnetic field that either opposes or aids the magnetic field produced by the permanent magnets, thereby varying the maximum magnetic field experienced by the receiver coil.

5 In yet another embodiment, the permanent magnets are radially movable relative to an axis of a drive shaft that is rotatably driven by the prime mover. The permanent magnets are attracted to each other when the shaft is at rest, but an actuator moves the permanent magnets away from each other to improve the coupling of the magnetic flux with the receiver coil when the shaft is rotating. The disposition of the permanent magnets adjacent to each other when the shaft
10 begins to rotate reduces the startup torque required to rotate the shaft. Furthermore, by controlling the radial disposition of the permanent magnets, a magnitude of the electrical current induced in the receiver coil is selectively controlled.

According to further aspects of the invention, a contactless battery
15 charger/energy transfer apparatus is defined that use the foregoing energy transfer scheme in combination with a conditioning circuit to recharge a rechargeable storage battery disposed in a portable device. Additionally, the energy can be supplied to electronic components in the portable device. The contactless battery charger/energy transfer apparatus typically includes a flux generator base unit, and
20 a receiver unit. The flux generator is housed in the flux generator base unit, which in several embodiments preferably includes a "universal" mounting provision that enables the base unit to be used with receiver units of different sizes. The receiver unit comprises a receiver coil disposed in a housing adapted to mate with the base unit, and a conditioning circuit that conditions the current generated by the energy inductively coupled into the receiver coil to control the charging of a battery (or
25 batteries) and/or provide a conditioned current to the electronic components in the portable device. The receiver coil housing may be integral to the portable device in which the receiver coil is disposed, or it may be a separate component that is suitable for attachment to a variety of different devices.

30 In one preferred embodiment, the flux generator base unit and receiver units are shaped in the form of tablets. The contactless battery charger/energy transfer apparatus embodiments additionally provide a sensor and an indicator for detecting and indicating when the receiver unit is mated and properly aligned with the flux generator base unit. The sensor signal controls the operation of the
35 motor. The conditioning circuit also includes a detection circuit for determining when a battery is fully charged, and controls the charge current supplied to the battery as a function of its charge state. Also included in the flux generator base

unit is a detection circuit for determining when the battery is charged, so that the motor is then turned de-energized.

According to another aspect of the invention, a wireless communication channel is effected between the receiver unit and the flux generator base unit by pulsing a load applied to the output of the conditioning circuit, thereby producing a corresponding pulse change in the current supplied to the electric motor. The pulsing current drawn by the electric motor is detected to recover the data transmitted from the receiver unit.

Another aspect of the present invention is directed to a method for charging a battery via a varying magnetic field that is inductively coupled to transfer energy to a receiver coil. The steps of this method are generally consistent with the functions provided by the elements of the apparatus discussed above.

Brief Description of the Drawing Figures

The foregoing aspects and many of the attendant advantages of this invention will become more readily appreciated as the same becomes better understood by reference to the following detailed description, when taken in conjunction with the accompanying drawings, wherein:

FIGURE 1 is a block diagram illustrating the primary components of the present invention;

FIGURE 2 is a cross-sectional view of a first embodiment of a flux generator base for coupling a varying electromagnetic flux into a receiver coil in a receiving unit, in accord with the present invention;

FIGURES 3A and 3B respectively illustrate a cross-sectional elevational view and a bottom view of a second embodiment of a flux generator base that includes two sets of permanent magnets;

FIGURE 3C is an isometric bottom view of a driven disk for the flux generator, for use as a test prototype;

FIGURES 3D and 3D' are respectively a bottom view of the driven disk, with two permanent magnets, and a graph of related magnetic field intensity waveforms vs. time;

FIGURES 3E and 3E' are respectively a bottom view of the driven disk, with four permanent magnets, and a graph of related magnetic field intensity waveforms vs. time;

FIGURES 3F and 3F' are respectively a bottom view of the driven disk, with six alternating pole permanent magnets, and a graph of related magnetic field intensity waveforms vs. time;

FIGURES 3G and 3G' are respectively a bottom view of the driven disk, with six permanent magnets in an arrangement with three consecutive south pole faces and three consecutive north pole faces on the bottom of the drive disk, and a graph of related magnetic field intensity waveforms vs. time;

5 FIGURES 3H and 3H' are respectively a bottom view of a driven disk including a pair of arcuate-shaped permanent magnets, and a graph of related magnetic field intensity waveforms vs. time;

10 FIGURES 4A and 4B are respectively a side elevational cross-sectional view of another embodiment of a flux generator base coupled to a receiver coil in which a rotating permanent magnet produces a magnetic flux that is coupled to the receiver coil by two flux linkage bars, and a cross-sectional view of the flux generator base taken along section lines 4B-4B in FIGURE 4A;

15 FIGURE 5 is a cross-sectional side elevational view of another embodiment of the flux generator base and the receiver coil, in which a drive wheel rotates two permanent magnets;

FIGURES 6A and 6B are respectively a cross-sectional view of yet another embodiment of the flux generator base and the receiver coil in which one permanent magnet is directly driven to rotate and another permanent magnet magnetically follows the rotation of the driven permanent magnet, and an enlarged view of the following permanent magnet;

20 FIGURE 7 is a plan view of a flux generator base (housing not shown) in which two permanent magnets are driven to reciprocate back and forth above the receiver coil;

25 FIGURE 8 is a side elevational view of a flux generator base (only a portion of the housing shown) in which three permanent magnets are driven to linearly reciprocate below the receiver coil;

FIGURE 9 is a side elevational view of a flux generator base (only a portion of the housing shown) in which conductors coiled around two permanent magnets selectively vary a magnetic field produced by the permanent magnets;

30 FIGURE 10 is a side elevational view of a flux generator base (only a portion of the housing shown) in which two rotating flux linkage tabs vary the magnetic flux linked between two fixed permanent magnets to the receiver coil;

35 FIGURES 11 and 11' are respectively an isometric view of a flux generator base (housing not shown) in which fixed permanent magnets and a rotating flux shunt bar are provided, and a graph of the current pulses vs. time produced in the receiver coil;

FIGURE 12 is a side elevational view of the receiver coil and a flux generator base (only a portion of the housing shown) in which two permanent magnets are slidably supported within a rotating tube so as to minimize starting torque, and so as to reduce an external magnetic field (outside the housing) when the permanent magnets are not rotating;

FIGURES 13A and 13B are external power heads in which a force is applied by a solenoid coil/ring magnet, and by a fluid cylinder, respectively, to two permanent magnets that are slidably mounted in a rotating tube so as to minimize starting torque, and so as to reduce an external magnetic field (outside the housing) when the permanent magnets are not rotating;

FIGURE 14 is a cut-away side elevational view of yet another flux generator base including a speed control and a permanent magnet that is drivingly rotated within a plane, which is generally transverse to the plane of an internal air core receiver coil disposed within the portable apparatus to be charged;

FIGURES 15A and 15B are respectively an elevational view and plan view of a universal charger base implementation of the present invention;

FIGURE 16 shows an optional embodiment of the universal charger base of FIGURES 15A and 15B wherein a pair of flux-generating bars are moved in a linear motion;

FIGURE 17 shows an alternative embodiment of the universal charger base of FIGURES 15A and 15B wherein a pair of flux-generating bars are moved in an elliptical motion;

FIGURES 18A and 18B are respectively a plan view and a cut-away side elevational view of a universal charger base that provides a stepped mounting interface for use with various-sized receiver units; and

FIGURES 19A and 19B are respectively a plan view and a cut-away side elevational view of yet another alternative embodiment of a universal charger base that provides a stepped mounting interface for use with various-sized receiver units.

Description of the Preferred Embodiments

With reference to FIGURE 1, a block diagram shown therein illustrates a typical application of the present invention. In this application, a flux generator base 20 includes a local (or remote) motor drive 22 that is energized from a power supply/control 24. Local (or remote) motor drive 22 comprises a prime mover that supplies a mechanical driving force to actuate a varying magnetic field generator 26. While the motor drive is preferably electrical, it is also contemplated that a pneumatic or hydraulic motor can alternatively be used as the

prime mover. A pressurized pneumatic or hydraulic fluid supply and control 24' is shown for use in controlling such a motor. By using a fluid drive motor, electrical current to and in the device is eliminated, which may be desirable in certain applications. However, an electrically powered motor is typically lower in cost and generally preferable. To provide electrical current to operate an electrical motor, power supply/control 24 is preferably energized by connection to an AC line source (not separately shown). However, a DC battery supply might be used in certain applications, for example, when power is provided by connection to an automotive electrical system. It is also contemplated that a hand crank (not shown) can be employed for actuating varying magnetic field generator 26.

If the mechanical driving force for actuating varying magnetic field generator 26 is provided locally, the motor drive is coupled to the varying magnetic field generator through a drive shaft 36. Conversely, if the motor drive is disposed at a remote point, separate from the varying magnetic field generator, the mechanical driving force can be provided through a flexible cable (not separately shown) that extends between the remote motor drive and varying magnetic field generator 26. The movement produced by the motor drive causes a variation in the magnetic field produced by magnetic field generator that changes the magnetic flux through a path outside of flux generator base 20.

Flux generator base 20 is intended to produce a varying magnetic field that induces a corresponding electrical current to flow in a conductor. The conductor is disposed sufficiently close to the flux generator base to enable magnetic coupling between the conductor and the flux generator to occur. In one preferred application of the flux generator base, the varying magnetic field it produces passes through a housing 28 in which the varying magnetic field generator is disposed and a separate housing 29 in which the rechargeable battery is stored, and couples with a receiver coil 30 that is positioned inside housing 29, directly opposite varying magnetic field generator 26. Preferable, housings 28 and 29 comprise material through which magnetic flux readily passes, such as a plastic, fiberglass, or a composite. A typical separation between varying magnetic field generator 26 and receiver coil 30 is from about 0.5 cm to about 2.0 cm.

Receiver coil 30 is connected to a conditioning circuit 34 through a lead 32, which conveys the electrical current induced in the receiver coil by the varying magnetic field; this electrical current is then appropriately regulated by the conditioning circuit to achieve a voltage and current appropriate to recharge the battery (or batteries) connected thereto.

The conditioning circuit may be used to energize a storage battery or storage capacitor for storing energy coupled to receiver coil 30. Alternatively, a battery or capacitor for storing energy (neither shown) may be disposed at the receiver coil. It will also be apparent that the portable apparatus can be directly energized using the present invention, in which case, an energy storage device need not be provided.

FIGURE 2 illustrates a first embodiment of flux generator base 20 in which motor drive 22 is disposed within housing 28 of the flux generator base. Motor drive 22 is coupled to a generally elongated U-shaped permanent magnet 42 through rotating drive shaft 36. The rotating drive shaft connects to a collar 44 around the midsection of permanent magnet 42. Preferably in this and in each of the other embodiments of the present invention described below, the permanent magnet is formed of a neodymium-iron-boron alloy or other rare earth or metal alloy that produces a relatively high magnetic flux density. Other types of ferro-magnetic alloys are also acceptable for this purpose, although it is generally desirable to use a material for the permanent magnets that produces a relatively strong magnetic field in the present invention. Permanent magnet 42 includes a north pole face 46 and a south pole face 48 that face upwardly and are disposed immediately adjacent the interior side of the lower surface of housing 28 (as depicted in the Figure – it will be noted that only the relative orientation of the components is important, not their absolute orientation). To prevent undesired shunting of the magnetic flux between north pole face 46 and south pole face 48 and eddy current losses that would occur if a conductive material were used, housing 28 preferably comprises a plastic polymer material that is a good electrical insulator and does not block the magnetic flux produced by the permanent magnet. In instances where the motor drive comprises an electric motor, an electrical current appropriate to energize the motor drive is supplied by electrical leads 52, which run through a grommet 54 disposed in the side of housing 28.

FIGURES 3A and 3B show an alternative embodiment, illustrating a varying magnetic field generator 60. In these Figures, the housing and motor drive of the charger are not illustrated, but it will be apparent that a housing such as housing 28 can enclose varying magnetic field generator 60. A local or a remote motor drive is coupled to a drive shaft 64 to rotate a disk 62, which comprises the varying magnetic field generator, in either direction about a longitudinal axis of drive shaft 64. Embedded within disk 62 are two sets of permanent magnets 66 and 68; the north pole face of one of these permanent

magnets and the south pole face of the other permanent magnets are generally flush with the lower surface of disk 62 (as shown in the Figure). A flux linkage bar 70 extends between the south and north pole faces of permanent magnets 66 (within disk 62), while a flux linkage bar 72 extends between the north and the south pole faces of permanent magnets 68 (within disk 62). The relationship of the permanent magnets and flux linkage bars are best illustrated in FIGURE 3B.

Rotation of disk 62 about its central axis in either direction varies the magnetic field experienced at receiver coil 30 (shown in FIGURE 1) and alternately changes the polarity of the field as the different permanent magnets rotate to positions adjacent to the pole faces of the receiver coil. The varying magnetic field that is thus produced by rotation of disk 62 induces a generally corresponding varying electrical current in the receiver coil that is usable to energize a device such as a portable hand tool. Preferably, the electrical current supplied to the device is first conditioned by conditioning circuit 34 (also shown in FIGURE 1), for example, to rectify, filter, regulate the current. The speed at which disk 62 rotates changes the frequency of the induced electrical current and also varies the average magnitude of the electrical current induced in the receiver coil. It is contemplated that disk 62 can be rotated at a rate such that the frequency of the current induced in the receiver coil is within the range from less than 10 Hz to more than 10 kHz.

It should be noted that the power transferred to the receiver coil increases as the rotational speed of the varying magnetic field generator increases. Also, as the relative spacing between varying magnetic field generator 60 and the receiver coil changes, the amplitude of the induced electrical current also changes, i.e., the magnitude of the induced electrical current increases as the separation decreases. While not shown in any of the Figures, it will be apparent that the elevation of rotating disk 62 above the receiver coil can be readily changed to modify the respective separation between the two devices and thereby selectively determine the maximum current induced in the receiver coil – all other parameters such as rotational speed remaining constant.

FIGURES 3D-3G show further embodiments of the varying magnetic field generator of the type illustrated in FIGURES 3A and 3B. The disk configuration for the varying magnetic field generator illustrated in these Figures was first used to confirm the effectiveness of the present invention. In FIGURE 3C, a disk 62' is shown without any permanent magnets. In an embodiment 60' shown in FIGURE 3D, only two permanent magnets 75 and 76 are inserted within disk 62', and other cavities 74 in disk 62' do not contain permanent magnets. As shown in

the Figure, permanent magnet 75 is positioned within disk 62' with its north pole face facing downwardly, flush with the lower surface of the disk, while permanent magnet 76 is positioned with its south face facing downwardly, flush with the lower surface of the disk. The opposite pole faces of each of permanent magnets 75 and 76 are directed upwardly, and the longitudinal axes of the permanent magnets are generally aligned parallel with the axis of drive shaft 64.

To test the efficacy of the embodiments shown in FIGURES 3D-3G, drive shaft 64 was simply chucked in a drill press (not shown) and rotated so that the lower surface of the disk in which the permanent magnets are embedded passed immediately above a receiver coil (generally like receiver coil 132 - shown in FIGURE 2). Using only one permanent magnet 75 and one permanent magnet 76 as shown in FIGURE 3D, the magnetic field intensity waveforms illustrated in the graph of FIGURE 3D' were produced, which include positive pulses 78 and negative pulses 80.

When two permanent magnets 75 and two permanent magnets 76 were disposed opposite each other as shown in FIGURE 3E, rotation of a disk 62" induced magnetic field intensity waveforms comprising two positive pulses 82 followed by two negative pulses 84 in repetitive sequence, as shown in FIGURE 3E'. Alternating permanent magnets 75 and 76 in each of the cavities formed in a disk 62" to produce a varying magnetic flux generator 60" as shown in FIGURE 3F, produced higher frequency magnetic field intensity waveforms, including positive pulses 86 and negative pulses 85, which are more sinusoidal, as indicated in FIGURE 3F'. In the embodiment of varying magnetic field generator 60"', shown in FIGURE 3G, three permanent magnets 75 are disposed adjacent each other with their north pole faces flush with the lower surface of a disk 62"', while three permanent magnets 76 have the south pole face flush with the lower surface of the disk. Rotation of disk 62"' produced the magnetic field intensity waveforms shown in FIGURE 3G', which include three positive pulses 88 followed by three negative pulses 90, in repetitive fashion.

In FIGURE 3H, a disk 87 includes two generally arcuate-shaped permanent magnets 89 and 91 disposed adjacent radially opposite sides of the disk, with the north pole of permanent magnet 89 and the south pole of permanent magnet 91 flush with the lower surface of the disk (as shown in the Figure). A flux linkage bar 93 extends across the disk, over the opposite poles of the two permanent magnets. Due to the arcuate shape of the permanent magnets, they extend over a larger portion of the rotational arc of disk 87, causing generally

sinusoidal magnetic field intensity waveforms 95 and 99 to be magnetically induced in the receiver coil, as shown in FIGURE 3H'.

At relatively slow rotational speeds, the rotation of one or more very strong permanent magnets directly below a receiver coil may apply sufficient torque to the receiver coil to cause the receiver coil to move back and forth slightly. However, any movement or vibration of the receiver coil due to such torque will be substantially eliminated when the receiver coil is attached to the device that is to be energized or which includes a battery to be charged by the present invention. Furthermore, if the rotational speed of the varying magnetic field generator is sufficiently high, the effects of any torque applied to the receiver coil will be almost imperceptible.

In FIGURES 4A and 4B, a flux generator base 92 is illustrated that eliminates virtually all torque on the receiver coil. In this embodiment, a permanent magnet 94 is coupled through a connection 102 to a flexible cable 100, which turns within a flexible drive shaft 97. Flexible cable 100 is connected to a remote electrical drive motor (not shown in this Figure) that applies a rotational driving force to the flexible drive shaft. The flexible drive shaft rotates within a bearing 96 that is supported in a cylindrical-shaped housing 104 of flux generator base 92. Cylindrical-shaped housing 104 preferably is fabricated of a plastic polymer that does not block or shunt magnetic flux and which does not conduct eddy currents. Inside cylindrical-shaped housing 104, at diametrically opposite sides of the housing, are disposed two vertically aligned flux linkage blocks 98. As permanent magnet 94 rotates, its north and south poles pass adjacent to the top inwardly facing surfaces of flux linkage blocks 98, as shown clearly in FIGURE 4B. The magnetic flux produced by permanent magnet 94 is conveyed through the flux linkage blocks and coupled into an overlying receiver coil 132. Flux generator base 92 is disposed relative to receiver coil 132 such that the upper ends of the flux linkage blocks are disposed opposite core faces 136 of the receiver coil. Since permanent magnet 94 rotates in a plane that is substantially spaced apart from the top of cylindrical-shaped housing 104 (as illustrated in the Figure), the permanent magnet applies substantially less attraction to the overlying receiver coil than would be the case if the permanent magnet were rotating in a plane closer to the receiver, e.g., immediately adjacent to the top of the cylindrical-shaped housing. Furthermore, flux linkage blocks 98 tend to concentrate the magnetic flux produced by the rotating permanent magnet in a vertical direction, minimizing any horizontal component of the magnetic flux, so

that little rotational force is experienced by adjacent core faces 136 of receiver coil 132.

Referring now to FIGURE 5, another embodiment comprising a flux generator base 110 is disclosed. In flux generator base 110, two cylindrical permanent magnets 124 are provided, each of which rotate around shafts 130 that extend through their respective centers. Alternatively, more conventional bar-shaped permanent magnets mounted in a plastic polymer cylinder can be used. Mechanical link bars 118 are attached to each of the permanent magnets at pivot points 122 and extend to a common pivot point 120 on a rotating driven wheel 114 that is disposed midway between the two permanent magnets. Driven wheel 114 is rotated by a drive shaft 116 that is connected to an electrical drive motor (not shown) disposed either within flux generator base 110, or alternatively, at a more remote location, as discussed above. Since pivot point 120 is offset from drive shaft 116, i.e., offset from the center of the driven wheel 114, movement of pivot point 120 due to rotation of the driven wheel is translated by mechanical link bars 118 into a corresponding rotational force applied to pivot points 122 that causes permanent magnets 124 to rotate about their shafts 130. As corresponding north and south poles on permanent magnets 124 move to positions immediately adjacent a curved flux linkage bar 126, the opposite poles of the permanent magnets are disposed adjacent vertically aligned flux linkage bars 128. In this Figure, the lower ends of the flux linkage bars are disposed adjacent the top of flux generator base 110, spaced apart and directly opposite core faces 136 of a core 134 comprising receiver coil 132. This core is fabricated of a metal or alloy having a relatively high magnetic permeability. Coiled about core 134 are a plurality of turns 138 of an electrical conductor, the ends of which comprise a lead 140, which extends to the conditioning circuit (not shown in this Figure) that rectifies, filters, and regulates the current from receiver coil 132, as required by the device in which the receiver coil is installed. The varying magnetic flux applied to receiver coil 132 induces a corresponding varying electrical current to flow through turns 138 and through lead 140.

Another embodiment of a flux generator base 150 is illustrated in FIGURE 6A. In this embodiment, a driven wheel 152, fabricated of a plastic polymer or other suitable non-magnetic material bonded to a pair of permanent magnets 154, is rotated by a motor drive 162. Magnetic flux from permanent magnets 154 is coupled through a horizontally extending flux linkage bar 158 disposed below the driven wheel (as shown in the Figure) to a follower wheel 156, which also includes a pair of permanent magnets 154 bonded together with their

respective north and south pole faces facing each other, separated by a flux linking section 157, best seen in FIGURE 6B. (The structure of driven wheel 152 is substantially identical to that of follower wheel 156.) Rotation of driven wheel 152 causes a varying magnetic field polarity to be experienced by permanent magnets 154 on follower wheel 156 and the interaction with this magnetic field rotates the follower wheel generally in lock step with the rotation of driven wheel 152. As a consequence, magnetic flux from the pairs of permanent magnets 154 on the driven wheel and follower wheel couple into receiver coil 132, inducing an electrical current to flow in turns 138 for use in energizing a portable device or charging its batteries.

The embodiments of flux generator bases discussed thus far have all included permanent magnets that rotate. In FIGURE 7, a flux generator base 170 is illustrated that includes a flux linkage bar 174 mounted to a shaft 176. Shaft 176 reciprocally rotates back and forth, causing permanent magnets 172 to pass back and forth above core faces 136 of receiver coil 132. As the magnetic flux produced by the permanent magnets and experienced by receiver coil 132 periodically changes due to the reciprocating movement of the permanent magnets back and forth below the pole faces of the receiver coil, an electrical current is induced to flow within the turns of the conductor (not shown in FIGURE 7) wrapped around core 134. This electrical current is typically rectified, filtered, and regulated to meet the requirements of the device coupled to the receiver coil.

Instead of being rotatably reciprocated back and forth, the permanent magnets can be driven to move back and forth in a linear fashion, as in the embodiment of a flux generator base 180 illustrated in FIGURE 8. In this embodiment, a flux shunt bar 186 is disposed below three vertically-aligned and spaced-apart permanent magnets 182 and extends over the respective north and south poles of two of the permanent magnets. The downwardly facing poles of permanent magnets 182 are respectively south, north, and south (or each can be of opposite polarity), in the order in which they are attached to a moving plate 184 that is reciprocally driven back and forth. The spacing between permanent magnets 182 is such that at the two extreme linear positions of reciprocating plate 184, the poles of two of the permanent magnets are disposed immediately below core faces 136 on receiver coil 132; these poles are opposite in polarity. Linear reciprocating movement of reciprocating plate 184 is provided by an appropriate drive mechanism (not shown), receiving its motive power from an electrical motor drive (also not shown), which is disposed either locally with the flux generator base, or remotely and coupled to the flux generator base by a drive shaft.

In FIGURE 9, an embodiment of a flux generator base 190 is illustrated that includes provision for selectively electrically controlling the strength of the magnetic field coupled to receiver coil 132. In this embodiment, instead of varying the separation between rotating permanent magnets 192 and receiver coil 132, an electrical conductor 194 is coiled around each of permanent magnets 192 and is coupled to a variable current power supply (not shown) that provides a direct current (DC) flowing through conductor 194. Note that permanent magnets 192 can be rotated about a common axis that is orthogonal to the axes of the rotation shown in the Figure. Since permanent magnets 192 are rotating, being driven by an electrical motor drive (also not shown in FIGURE 9), conductor 194 must be coupled to the variable power supply using slip rings, brushes, a rotary transformer, or other suitable mechanism, as is commonly used for coupling power to a conductor on a rotating armature of an electric motor. The DC current passing through conductor 194 can either assist or oppose the magnetic field produced by permanent magnets 192, thereby selectively varying the strength of the magnetic field experienced by receiver coil 132 to control the magnitude of the electrical current that the receiver coil supplies to the conditioning circuit.

Another way to periodically vary the magnetic field experienced by receiver coil 132 is to periodically change the efficiency with which the magnetic flux produced by permanent magnets couples to the receiver coil. FIGURE 10 illustrates one technique for varying the magnetic flux linkage between two permanent magnets 202 in a flux generator base 200 and the receiver coil. Permanent magnets 202 are stationary. A motor drive (not shown in this Figure) drivingly rotates two disks 204 that are disposed behind each of the fixed permanent magnets. Tabs 206 extend outwardly from the facing surfaces of disks 204 a distance equal to a little more than the thickness of permanent magnets 202 (measured in a direction normal to the plane of the paper in the Figure). Tabs 206 and disks 204 are fabricated of a metal or an alloy having a high magnetic permeability that provides enhanced flux linkage when disposed adjacent the poles of permanent magnets 202. A flux shunt bar 186 that is also fabricated of a material having a high magnetic permeability extends below permanent magnets 202 (as shown in this Figure), but is spaced sufficiently apart from the downwardly facing poles of the permanent magnets to provide clearance for tabs 206 to pass between the flux shunt bar and the poles of permanent magnets 202. As tabs 206 rotate between the lower poles of permanent magnets 202 and the upper surface of flux shunt bar 186, and between the upper poles of the permanent magnets and core faces 136 of receiver coil 132 (as shown

by the dash lines that illustrate the tabs at those positions in phantom view), the flux linkage between permanent magnets 202 and core 134 greatly decreases so that substantially less magnetic field strength is experienced by the receiver coil. The magnetic flux produced by the permanent magnets is shunted through
5 disks 204, with little of the magnetic flux flowing between the poles of the permanent magnets passing through the receiver coil. However, as disks 204 continue to rotate so that tabs 206 move to the positions shown by the solid lines in FIGURE 10, the flux linkage between permanent magnets 202 and receiver
10 coil 132 approaches a maximum. Thus, rotation of disks 204 causes core 134 to experience a varying magnetic field that induces an electrical current to flow within the conductor comprising turns 138.

As shown in FIGURE 11, a further embodiment of the varying magnetic field generator includes a fixed flux linkage bar 225 and a rotating flux linkage shunt 214 connected to a drive shaft 212 that rotates the flux linkage shunt in a plane above the
15 pole faces of permanent magnets 202 (as shown in the Figure), so that it passes between the pole faces of the permanent magnets and the pole faces of the receiver coil (not shown here). Fixed flux linkage bar 225 and rotating flux linkage shunt 214 are both fabricated of a metal or alloy with high magnetic permeability and thus characterized by its ability to substantially shunt magnetic flux. When rotating flux
20 linkage shunt 214 is in the position represented by the phantom view (dash lines), i.e., in a position so that its longitudinal axis is oriented about 90° to the longitudinal axis of fixed flux linkage bar 225, the flux linkage between the permanent magnets and the receiver coil is at a maximum, and when the rotating flux linkage shunt is in the position shown (by the solid lines) in FIGURE 11, the magnetic flux produced by the
25 permanent magnets is substantially shunted between them through the rotating flux linkage shunt. Due to the resulting periodically varying magnetic flux coupled into the receiver coil core, an electrical current is induced in the receiver coil. FIGURE 11' illustrates electrical current pulses 218 that are produced in the receiver coil as the flux linkage shunt rotates.

30 A desirable feature of the embodiments shown in both FIGURES 10 and 11 is that when the devices are de-energized, leaving the magnet flux shunted between the poles of the permanent magnets, very little magnetic field produced by the permanent magnets escapes outside the housing (not shown) around the flux generator base. The rotating flux linkage shunts thus serve to "turn off" much of the external magnetic
35 field by shunting it between the poles of the permanent magnets.

When the electric motor used as the prime mover for any of the flux generator bases described above is initially energized to provide the rotational,

pivotal, or linear reciprocating motion, the motor experiences a starting torque (that resists its rotation) because of the magnetic attraction between the permanent magnets and any flux linkage bar included in the flux generator base, and the receiver coil. FIGURE 12 illustrates an embodiment for a flux generator base 230 that minimizes the starting torque experienced by the electrical motor. In this embodiment, a drive shaft 232 is coupled to a local or remotely disposed electrical motor drive 233. The lower end of drive shaft 232 is connected to a horizontally extending cylindrical tube 236. Permanent magnets 238 are supported within cylindrical tube 236 and are able to move radially inward or outward relative to the longitudinal axis of drive shaft 232. The permanent magnets are coupled to a helically-coiled spring 234 that extends between the permanent magnets, within the center of cylindrical tube 236, and applies a force that tends to draw the permanent magnets radially inward, away from the lower ends of flux linkage rods 240 (as shown in the Figure). When the motor drive that is coupled to drive shaft 232 is de-energized, permanent magnets 238 are thus drawn toward each other, minimizing the torque required to begin rotating cylindrical tube 236. However, after motor drive 233 is rotating drive shaft 232, the centrifugal force created by the rotation of the cylindrical tube overcomes the force of helical spring 234, causing permanent magnets 238 to slide radially outward, away from the central axis of drive shaft 232, until the permanent magnets reach stops (not shown) that limit their radial travel, so that their poles are closely spaced apart from flux linkage rods 240. A varying magnetic flux linkage with receiver coil 132 is then achieved.

In FIGURES 13A and 13B, two alternative techniques are shown for minimizing startup torque. However, a further advantage is provided by these alternatives, since they enable the magnitude of the current produced by the receiver coil to be controlled by varying the spacing between permanent magnets 238 and flux linkage rods 240 when the permanent magnets are rotating past the flux linkage rods. Specifically, as the spacing between the permanent magnets and flux linkage rods is increased, both the coupling of magnetic flux into the receiver coil and the magnitude of the electrical current induced in the receiver coil are reduced.

FIGURE 13A shows a flux generator base 248 in which drive shaft 232 rotates a ring permanent magnet 250 with a cylindrical tube 236' and permanent magnets 238, about the longitudinal axis of the drive shaft. A solenoid coil 252 is wound around drive shaft 232 and is coupled to an electrical current source/control 254. Electrical current provided by the electrical current

source/control is varied to provide a controlled magnetic force that causes ring permanent magnet 250 to move downwardly along drive shaft 232 by a controlled amount. Mechanical links 256 are pivotally connected to the ring permanent magnet and extend through a slot 260 in the cylindrical tube to couple with pivot connections 258 on the facing poles of permanent magnets 238. As the ring permanent magnet is drawn down drive shaft 232, permanent magnets 238 are drawn radially inward toward each other, reducing the magnetic flux coupled into the receiver coil (not shown in this drawing) through flux linkage rods 240. Also, when the drive shaft is initially rotated, the permanent magnets are drawn relatively closer still to each other, thereby minimizing the startup torque by reducing the attraction between the permanent magnets and the flux linkage rods.

In FIGURE 13B, an alternative flux generator base 262 is shown that achieves much the same result as flux generator base 248. However, in this embodiment, a swash plate 264 is connected to pivotal connectors 258 through mechanical links 256. Swash plate 264, cylindrical tube 236', and permanent magnets 238 are rotated by drive shaft 232. In this embodiment, bearing rollers 266 act on opposing surfaces of swash plate 264 to control its position along drive shaft 232 as the drive shaft rotates. The bearing rollers are mounted on a bracket 268 that is connected to a piston rod 270.

The position of the piston rod and thus, the position of the bearing rollers and swash plate, is adjusted by a pressurized fluid cylinder 272 that is actuated by applying pressurized hydraulic or pneumatic fluid through lines 274. The pressurized fluid is applied to drive the piston rod up or down and thereby move swash plate 264 up or down along drive shaft 232. As the swash plate moves down along drive shaft 232, it pulls permanent magnets 238 radially inward toward each other. In the fully retracted positions, permanent magnets are only weakly linked through flux linkage rods 240, and the startup torque necessary to begin rotating drive shaft 232 is minimal. As the swash plate is moved upwardly along drive shaft 232, the permanent magnets are forced outwardly, increasing the magnetic flux coupling between the rotating permanent magnets and the receiver coil. Accordingly, the magnitude of the electrical current induced in the receiver coil will be increased. It will be apparent that using either of the embodiments of the flux generator base shown in FIGURES 13A or 13B, the magnitude of the electrical current induced in the receiver coil is readily controlled.

FIGURE 14 illustrates a flux generator base 280 that includes a housing 282 in which a divider 286 extends between an upper compartment 284 and an lower, generally dome-shaped, compartment 288 (as shown in the Figure).

In upper compartment 284 are disposed a motor 290 that turns a drive shaft 292 at a relatively high speed, e.g., at more than 20,000 rpm. Mounted on drive shaft 292 is a rod-shaped permanent magnet 294. Motor 290 is energized with an electrical current controlled by a motor speed control circuit 296 that is disposed
5 in lower compartment 288. The motor speed control circuit is generally conventional in design, including, for example, one or more silicon rectifiers or a triac, and is coupled to the motor through a lead 298. The motor speed control circuit is energized with electrical current supplied from a line current energized power supply 304 (or battery pack) to which the motor speed control circuit is
10 connected. A speed control knob 306 extends above the housing of the flux generator base and is rotatable by the user to turn the device on or off and to vary the speed at which motor 290 rotates. Speed control knob 306 actuates a variable resistor 300, which is mounted just inside the top of the lower compartment, using a pair of threaded nuts 308. The variable resistor is connected to the motor speed
15 control circuit through leads 302.

As illustrated in the Figure, flux generator base 280 is intended to be disposed so that permanent magnet 294 is generally adjacent to an air core receiver coil 276 (or other receiver coil). The term "air core" simply indicates that a ferrous alloy or other material having a relatively high magnetic permeability is
20 *not* used as a core for this particular receiver coil. Instead, this embodiment of a receiver coil comprises a relatively flat or pancake-shaped coil wound of a conductor. Leads from the air core receiver coil supply electrical current to an appropriate conditioning circuit (not shown). An electrical current is induced to flow in the coil by the varying magnetic flux produced as permanent magnet 294
25 is rotated by the motor. Due to the speed at which permanent magnet 294 rotates, a relatively efficient magnetic flux coupling exists between the permanent magnet and the air core receiver coil.

By varying the speed at which the permanent magnet rotates, it is possible to control the magnitude of the current induced in the air core receiver coil. As
30 the speed at which the permanent magnet rotates is increased, the magnitude of the electrical current produced by the air core receiver coil increases. It is contemplated that speed control knob 306 may be indexed to marks (not shown) that are provided on the exterior of housing 282 to indicate a range of electrical current for different settings of the speed control knob. Of course, the magnetic
35 flux linkage can also be controlled by varying the separation between the flux generator base and the air core receiver coil.

Another embodiment of the present invention suitable for use in supplying energy to a portable device is shown in FIGURES 15A and 15B. The apparatus comprises two primary components, a flux generator base unit 310, and a receiving unit 312. The flux generator base unit comprises a housing 313, a pancake electric motor 314 rotating a shaft 316, and a rotor 318. As shown in
5 FIGURE 15B, preferably embedded in the rotor (or otherwise attached thereto) are a plurality of magnets 320. The magnets on one side of the rotor are oriented their north pole faces on the upper side of the rotor, while the magnets on the opposite side of the rotor have their south pole faces on the upper side of the rotor.
10 In addition, the magnets are arranged in pairs such that each pair comprises an upwardly facing north pole on one side and an upwardly facing south pole on the opposite side and the magnets on each pair are disposed at different radiuses from the shaft. The rotor also may include a flux linkage bar 322, that operates in a manner similar to that of the flux linkage bars described above. It is preferable
15 that the components comprising the flux generator be of low profile, so that the entire device is relatively wide and flat, so that the exterior shape of the base unit has the overall appearance of a "tablet."

The receiver unit may be either integrated into the portable device, or may comprise a separate component that is attached to the portable device. The
20 receiver unit comprises a receiver coil 324, a wire coil 329, and a conditioning circuit 330 that is connected to the wire coil via leads 326. It is preferable that the receiver coil and wire coil be enclosed in a housing 311 (which may be the housing for the portable device). The conditioning circuit may also be included in the receiver unit housing, or may be separately disposed in the portable device.
25 The receiver coil preferable comprises a magnetically permeable core sized so that the flux lines produced by the flux generator are optimally coupled with core when the receiver unit is properly aligned with the flux generator base unit. For example, opposing ends of the core comprising face portions 325 are disposed parallel to the poles of the magnets in the rotor of the flux generator base unit.
30 Wire coil 329 is wound around the core member so that when the variable magnetic field produced by the flux generator is inductively coupled into the receiver coil, a current is generated in the wire. This current is then rectified, filtered, and regulated by conditioning circuit 330, which provides a controlled output current at a suitable voltage for charging a battery 327 and/or energizing
35 electronics 331 contained in the portable device. Conditioning circuits of this type are well known in the art, and may be purchased from various vendors as a single integrated circuit, such as a model MM1433 integrated circuit designed for

charging a lithium ion battery made by the Mitsumi Corporation of Japan. It will be understood by those skilled in the art that a different conditioning circuit will be required for other types of batteries, e.g., a conditioning circuit specifically designed for use with nickel cadmium batteries will be required when the rechargeable battery is a nickel cadmium battery.

Three different size receiver coils 324 are shown in FIGURE 15A to make clear that the flux generator base unit is universally usable with different size portable devices, but it should be clear that a receiver unit for a portable device would typically employ only one receiver coil. The use of three receiver coil core members and three sets of magnets shown in the Figure is purely for illustrative purposes. Also, a flux generator in the base unit may comprise only one pair of magnets. If a plurality of pairs of magnets are included, the magnets of different pairs can be disposed at circumferentially spaced-apart locations and not just diametrically opposite each other as shown in the Figure.

To save power and operational wear, it is desirable for the flux generator base unit to operate only when there is a load present (i.e., a battery to charge or electronics that are energized by the base unit. When a load is not present, the base unit should preferably be in a low power consuming "sleep" mode. Therefore, it will be necessary for the base unit to know when a load is present (so it can "wake up" and begin a charging or energy transfer operation) and to know when the battery is fully charged or the load is removed (so the base unit can turn off and go back to sleep). This behavior can be accomplished in a variety of ways. For example, a Hall-effect sensor 332 (or reed switch) is mounted in the flux generator unit and a magnet 334 is disposed in the center of the receiver unit so that the magnet is in close proximity to the Hall-effect sensor (or reed switch) when the receiver unit is placed on the flux generator base unit. The magnetic field produced by magnet 334 is sensed by the Hall-effect sensor (or reed switch), causing a change in the output of the sensor. (The change in the output signal of the sensor will depend on whether the sensor includes a normally-open or normally-closed switch condition). This sensor output signal is coupled through a lead 339 to a motor control 341 and enables the motor control to determine when a load is present so that it can wake up the base unit and energize the motor to produce a current in the receiver coil. In such circumstances, the motor will be with a current supplied through a lead 345 and the rotor will rotate, causing a variable magnetic field to be generated. Preferably, the Hall-effect sensor should be positioned in the center of the rotating magnetic field so that it is not significantly affected by it. Correspondingly, the receiver unit magnet should be disposed relative to the receiver and base units such that the receiver unit magnet and the Hall-effect

sensor are in sufficiently close proximity to actuate the sensor only when the flux generator base unit and receiver unit are properly aligned and mated. It is preferable that when the Hall-effect sensor output changes state to indicate that the receiver unit has been properly positioned on the base unit, an indicator light 337 that is disposed
5 in base unit will be energized with current supplied through a lead 343 by motor control 341. This same indicator light indicates that the base unit is in an operational mode (i.e., charging a battery). It is also contemplated that another indicator light 347 mounted on the receiver unit can be energized by the conditioning circuit when battery 327 in the receiver unit is fully charged, or conversely, the light can be
10 extinguished when the battery is fully charged.

The conditioning circuit controls the current supplied for charging a battery and determines when the battery is fully charged. As discussed above, several vendors make suitable conditioning circuits for this purpose. When a battery charging cycle is complete, the energy consumed by the receiver unit from
15 the flux generator base unit for battery charging will typically substantially decrease. This condition can be sensed in the flux generator by monitoring the current drawn by the electric motor. When the current is at a reduced level, the battery has either been fully charged or has been removed from the flux generator; in either case the flux generator motor can be turned off and go back to sleep.

20 In a more sophisticated feature of the apparatus, the receiver unit can communicate additional information (such as battery condition or status of the portable device, etc.) to the flux generator base unit for logging or display, by rapidly switching (i.e., pulsing) the current supplied by the conditioning circuit, thereby superimposing "digital" pulses relative to the load experienced by the
25 electric motor in the flux generator base unit, causing corresponding pulses in the motor current due to the pulsed changes in the conditioning circuit load. The load on the motor will vary as a function of the energy being transferred to the receiver unit and consumed by the load, as controlled by the conditioning circuit. A rapid increase in load (even if only momentarily) can be "sensed" by a motor controller attempting to maintain a constant speed as a slowing of the rate at which the
30 magnets are being rotated, which will require an increase in the motor current. Similarly, a rapid decrease in the load can be sensed by the motor controller, which must rapidly decrease the motor current to maintain a constant speed. The pulse fluctuation in the motor current due to the pulsing of the conditioning circuit load can thus be used to convey digital data between the receiver unit and the flux
35 generator base unit. This pulse information evident in the motor current can then be decoded to interpret the data information provided from the receiver unit in the

portable device, thereby effectively implementing a low-speed contactless communication channel from the portable device to the base unit. The information can be displayed at the base unit, or on a display (not shown) separate from the base unit. Optionally, the base unit could log the data passed to it from the portable device in an internal memory (not shown).

It is contemplated that the apparatus shown in FIGURES 15A and 15B could be adapted to be used with a variety of different-sized portable devices. For instance, by using a plurality of magnet pairs placed at different radii, various sized receiver units could be used with a single "universal" base unit. It is further contemplated that one of three or four standard sizes of receiver units might be employed in most portable devices or used as a separate component relative to the portable device.

As discussed above, it is also possible to generate a variable magnetic field by using motions other than a rotary motion. For example, as shown in a flux generator base unit 310' of FIGURE 16, a linear motion could be applied to a pair of flux generator bars 336, each of which comprises a plurality of magnets 338 having north pole faces directed upwardly, and a plurality of magnets 340 with their south pole faces directed upwardly. As the flux generator bars are moved back and forth in a linear motion, a variable magnetic field is generated relative to a fixed magnetic receiver coil (not shown). The receiver coil can be of various sizes, so that its pole faces overlies different sets of permanent magnet poles. Although not shown, various well-known drive mechanisms could be used to provide the reciprocating linear motion driving the flux generator bars.

Another optional configuration comprising a flux generator base unit 310'' is shown in FIGURE 17, wherein a pair of flux generator bars 342 comprising magnets 344 are driven in elliptical path so that the pole faces of the magnets move relative to a fixed receiver coil (not shown), varying the magnetic flux in the receiver coil.

Further embodiments of universal base units and corresponding receiving units are shown in FIGURES 18A and 18B, and 19A and 19B. A primary feature of the universal base units shown in these Figures is the step configuration of housings 350 and 350'. (Note that elements having reference numbers with a prime notation in FIGURES 19A and 19B are substantially similar to the corresponding elements identified by same reference numbers – without a prime – in FIGURES 18A and 18B.) Preferably, the stepped housing is configured so that different sized receiver unit "tablets" 352, 354, and 356 can be easily mated with the base unit. Under this scheme, it is contemplated that the receiver unit tablets

are either separate units, or integrated into the housing of the portable devices with which they are used. For example, the tablet portion of the receiving unit could be integrated into the bases of cylindrical battery modules having various predefined sizes. This design is an alternative to the various
5 manufacturer-specific battery modules used in different power tool lines. In addition, the step configuration of the universal base units would be suitable for charging the batteries in portable devices having a cylindrical housing, such as electrically powered toothbrushes.

In order to obtain satisfactory performance using the step housing, it will
10 be necessary for a rotor similar to rotor 358 to be used. Rotor 358 is generally cylindrical in shape, comprising a plurality of steps at diameters corresponding to the diameters of the steps in the housing. According to one embodiment, a plurality of arcuate magnets, similar to those discussed above with reference to
15 FIGURE 3H, are disposed in sets of opposite polar faces at various diameters, as shown in FIGURE 18A. Optionally, wider, low-profile arcuate magnets 362 having opposite pole faces directed upwardly on opposite sides of the base unit could be employed, as shown in FIGURES 19A and 19B. As a further option, a plurality of cylindrical magnets 364 having opposite pole faces directed upwardly
20 on opposite sides of the base unit can be used, as shown in FIGURE 19A. Any of these options could be used to generate a varying magnetic flux as rotor 358 is rotated by pancake motor 314.

The receiver coil in the receiver unit must be sized to inductively couple with the flux generated by one of the sets of magnets used in the base unit. As
25 was the case with the universal flux generator base unit of FIGURE 15A, the use of three steps and three differently sized receiving units is purely illustrative. An actual device could employ either fewer or more steps and thus accept either correspondingly smaller or larger diameter receiving units.

Although the present invention has been described in connection with the preferred form of practicing it, those of ordinary skill in the art will understand
30 that many modifications can be made thereto within the scope of the claims that follow. Accordingly, it is not intended that the scope of the invention in any way be limited by the above description, but instead be determined entirely by reference to the claims that follow.

The invention in which an exclusive right is claimed is defined by the following:

1. A contactless electrical energy transfer apparatus comprising:
 - (a) a portable receiving unit including:
 - (i) a receiver coil; and
 - (ii) a housing in which the receiver coil is disposed, said housing supporting the receiver coil; and
 - (b) a flux generator including:
 - (i) a housing adapted to be disposed proximate to the housing of the receiving unit;
 - (ii) a magnetic field generator comprising at least one permanent magnet disposed within the housing of the flux generator; and
 - (iii) a prime mover drivingly coupled to an element of the magnetic field generator, causing said element of the magnetic field generator to move relative to the receiver coil, movement of said element of the magnetic field generator producing a varying magnetic field that is coupled to the core of the receiver coil, inducing an electrical current to flow in the receiver coil.
2. The energy transfer apparatus of Claim 1, wherein the receiver coil includes a core formed of a magnetically permeable material.
3. The energy transfer apparatus of Claim 1, wherein the prime mover is disposed within the housing of the flux generator.
4. The energy transfer apparatus of Claim 1, wherein the prime mover comprises an electric motor.
5. The energy transfer apparatus of Claim 1, wherein the prime mover is disposed outside the housing of the magnetic field generator and is drivingly coupled to said element of the magnetic field generator through a driven shaft.
6. The energy transfer apparatus of Claim 1, wherein said at least one permanent magnet is mounted on the element that is moved by the prime mover.
7. The energy transfer apparatus of Claim 1, wherein said at least one permanent magnet comprises a rare earth alloy.
8. The energy transfer apparatus of Claim 1, wherein the magnetic field generator includes a plurality of permanent magnets and a movable support on which the plurality of permanent magnets are mounted, said prime mover causing the support to move, thereby varying the magnetic field along a path that includes the receiver coil.

9. The energy transfer apparatus of Claim 8, wherein the support is caused to move reciprocally back and forth in a reciprocating motion.

10. The energy transfer apparatus of Claim 1, wherein the element of the magnetic field generator that is drivingly coupled to the prime mover comprises a magnetic flux shunt that is moved by the prime mover, to periodically shunt a magnetic field produced by said at least one permanent magnet of the magnetic field generator, causing the magnetic field to vary along a path that includes the receiver coil.

11. The energy transfer apparatus of Claim 1, further comprising an adjustment member that is selectively actuatable to change a maximum magnetic flux that is coupled to the core of the receiver coil.

12. The energy transfer apparatus of Claim 11, wherein the adjustment member controls a speed with which the element of the magnetic field generator is moved.

13. The energy transfer apparatus of Claim 1, wherein the magnetic field generator includes a plurality of permanent magnets mounted to the element at radially spaced-apart points around a central axis, enabling the varying magnetic field produced by magnetic field generator to couple with a plurality of different size receiver coils.

14. The energy transfer apparatus of Claim 13, wherein the prime mover rotates the element and the plurality of permanent magnets about the central axis.

15. A contactless electrical energy transfer apparatus adapted to couple magnetic energy into a portable device, comprising:

(a) a housing having a shape enabling the contactless electrical energy transfer apparatus to be disposed proximate a magnetic energy receiving portion of the portable device;

(b) a prime mover; and

(c) a magnetic field generator that is disposed within the housing, said magnetic field generator comprising a permanent magnet and including an element that is moved by the prime mover, causing a varying magnetic field to be produced that is adapted to transfer energy into the magnetic energy-receiving portion of the portable device.

16. A contactless electrical energy transfer apparatus comprising:
- (a) a portable device including:
 - (i) a receiver coil; and
 - (ii) a housing in which the receiver coil is disposed; and
 - (b) a flux generator including:
 - (i) a housing adapted to be positioned proximate to the housing for the receiver coil;
 - (ii) a magnetic field generator disposed within the housing for the flux generator and comprising at least one permanent magnet and a flux shunt, said at least one permanent magnet being fixed relative to the receiver coil; and
 - (iii) a prime mover that is drivingly coupled to said flux shunt, said flux shunt being thereby caused by the prime mover to intermittently pass adjacent to pole faces of said at least one permanent magnet so as to provide a magnetic flux shunt path between the pole faces, thereby varying a magnetic field coupled with the core of the receiver coil to induce an electrical current to flow in the receiver coil.

17. The energy transfer apparatus of Claim 16, wherein the receiver coil includes a core formed of a magnetically permeable material.

18. A contactless electrical energy transfer apparatus adapted to transfer magnetic energy into a receiver coil within a portable device, comprising:
- (a) a housing adapted to be positioned proximate to a magnetic field receiving portion of the portable device;
 - (b) a magnetic field generator disposed within the housing, said magnetic field generator including a permanent magnet having opposite pole faces, and a flux shunt that is movably mounted within the housing;
 - (c) a prime mover that is drivingly coupled to the flux shunt, to cause the flux shunt to move, movement of said flux shunt by the prime mover causing the flux shunt to intermittently pass adjacent to the opposite pole faces of said permanent magnet so as to provide a magnetic flux shunt path between the pole faces, thereby varying a magnetic field that is coupled with the magnetic field receiving portion of the portable device, to transfer magnetic energy to the portable device.

19. The energy transfer apparatus of Claim 18, wherein the flux shunt comprises a bar of magnetically permeable material that includes arms extending over the opposite pole faces of the permanent magnet.

20. The energy transfer apparatus of Claim 18, wherein the magnetic field generator includes a plurality of permanent magnets, and a fixed flux linkage bar coupling magnetic flux between different pole faces of the plurality of permanent magnets, said flux shunt periodically being moved over opposite pole faces of the plurality of permanent magnets to produce the varying magnetic field that is coupled with the magnetic field receiving portion of the portable device.

21. A contactless battery charging/energy transfer apparatus comprising:

- (a) a flux generating base unit comprising:
 - (i) an electric motor having a drive shaft;
 - (ii) a rotor, operatively coupled to the drive shaft of the electric motor to be rotated thereby and having attached thereto a plurality of permanent magnets, each permanent magnet having a north pole face and a south pole face oriented generally parallel to a rotational plane of the rotor; and
 - (iii) a housing in which the electric motor and rotor are disposed, a surface of the housing defining a contactless mounting interface;
- (b) a receiving unit that includes an electrical energy-consuming load and further comprises:
 - (i) a receiver coil having a core formed of a magnetically permeable material and an electrically conductive winding around the core; and
 - (ii) a housing in which the receiver coil is disposed and supported, a surface of said housing adjacent to the receiver coil being adapted to be placed proximate the contactless mounting interface of the housing of the flux generator base unit; and
- (c) a conditioning circuit electrically connected to the winding of the receiver coil, wherein a rotation of the rotor by the electric motor causes the receiver coil to experience a varying magnetic field, inducing an electrical current to flow in said winding, said electrical current being conditioned by the conditioning circuit for use in supplying electrical energy to the load.

22. The contactless battery charging/energy transfer apparatus of Claim 21, wherein the load in the receiving unit comprises a rechargeable storage battery.

23. The contactless battery charging/energy transfer apparatus of Claim 21, wherein the housing of the receiving unit is sized and shaped to mate with the contactless mounting interface of the flux generator base unit.

24. The contactless battery charging/energy transfer apparatus of Claim 23, further comprising a sensor that produces a signal indicative of whether the housing of the receiving unit is properly mated with the contactless mounting interface of the flux-generating base unit.

25. The contactless battery charging/energy transfer apparatus of Claim 24, wherein the sensor comprises one of a Hall-effect sensor and a reed switch disposed within the housing of the flux generator base unit, the signal being produced by the sensor in response to a magnetic field produced by a permanent magnet disposed within the housing of the receiving unit when the housing of the receiving unit is properly mated with the contactless mounting interface of the flux-generating base unit.

26. The contactless battery charging/energy transfer apparatus of Claim 24, wherein the electric motor is energized in response to the signal produced by the sensor, so that the rotor only rotates when the housing of the receiving unit is properly mated with the contactless mounting interface of the flux-generating base unit.

27. The contactless battery charging/energy transfer apparatus of Claim 22, further comprising an indicator that indicates when the rechargeable storage battery connected to the output of the conditioning circuit is fully charged.

28. The contactless battery charging/energy transfer apparatus of Claim 22, wherein the conditioning circuit in the receiving unit detects when the battery connected to the output of the conditioning circuit is fully charged and reduces the current supplied to the battery upon detecting such a condition.

29. The contactless battery charging/energy transfer apparatus of Claim 22, wherein the flux generator base unit comprises a sensor for determining when a battery connected to the output of the conditioning circuit is fully charged, and upon detecting such a condition, causes the electric motor to be de-energized.

30. The contactless battery charging/energy transfer apparatus of Claim 21, wherein the plurality of permanent magnets are disposed at different radii from a center of the rotor.

31. The contactless battery charging/energy transfer apparatus of Claim 21, wherein a portion of the housing of the flux generator base unit adjacent to the rotor is stepped, defining a plurality of contactless mounting interface apertures adapted to mate with respective receiving units of varying sizes corresponding to the sizes of the plurality of contactless mounting interface apertures.

32. The contactless battery charging/energy transfer apparatus of Claim 21, further comprising a motor control that supplies electrical current to the electrical motor and attempts to maintain a rotational speed of the rotor constant, said motor control monitoring the current supplied to the electrical motor, wherein a wireless communication channel conveying data is effected between the receiving unit and the flux generator base unit by the conditioning circuit pulsing a load applied to the electrical energy output from the conditioning circuit, thereby causing a corresponding pulsing in the electrical current supplied by the motor control to the electric motor in the flux generator base unit, to supply energy to said load, said pulsing of the electrical current being detected as a digital pulse signal conveying the data by the motor control.

33. A method for charging a battery by inductively coupling a varying magnetic field produced by a base component to a receiver coil disposed in a receiver component, comprising the steps of:

- (a) positioning the receiver component proximate to the base component;
- (b) generating a magnetic field with a permanent magnet disposed in the base component;
- (c) coupling a driving force to an element in the base component so that the element is movable;
- (d) moving the element with the driving force to vary the magnetic field produced by the permanent magnet, the varying magnetic field being inductively coupled to the receiver coil, causing a corresponding electrical current to be induced in the receiver coil;
- (e) conditioning the electrical current to produce a conditioned current at a voltage suitable for charging a battery; and
- (f) charging the battery with the conditioned current.

34. The method of Claim 33, wherein a source of the driving force is disposed remote from where the magnetic field is generated by the permanent magnet and is coupled to the element through a driven shaft.

35. The method of Claim 33, wherein the magnetic field is generated by a plurality of permanent magnets.

36. The method of Claim 33, wherein the element that is moved comprises said permanent magnet.

37. The method of Claim 36, wherein the step of moving the element comprises the step of rotating the permanent magnet to vary a magnetic flux produced by the permanent magnet along a path that includes the receiver coil.

38. The method of Claim 36, wherein the step of moving the element comprises the step of reciprocating the permanent magnet back and forth to vary a magnetic flux along a path that includes the receiver coil.

39. The method of Claim 33, further comprising the step of enhancing a magnetic flux linkage between magnetic poles of the permanent magnet and the receiver coil.

40. The method of Claim 39, wherein the step of enhancing the magnetic flux linkage comprises the step of providing a flux linkage bar for coupling a magnetic field from a pole of the permanent magnet into the receiver coil.

41. The method of Claim 33, further comprising the step of selectively varying a maximum magnetic field intensity coupled with the receiver coil.

42. The method of Claim 41, wherein the step of selectively varying the maximum magnetic field intensity comprises the step of varying a position of the permanent magnet relative to the receiver coil to control the magnetic field coupled to the receiver coil.

43. The method of Claim 41, wherein the step of selectively varying the maximum magnetic field intensity comprises the step of changing a speed with which the element moves.

44. The method of Claim 33, wherein the magnetic field is generated with a plurality of permanent magnets.

45. The method of Claim 44, wherein the moving element comprises the plurality of permanent magnets, further comprising the step of moving one of the permanent magnets, and magnetically coupling another of the plurality of permanent magnets to the permanent magnet that is moved, so that the other of the plurality of permanent magnets is moved thereby.

46. The method of Claim 44, wherein the plurality of permanent magnets are fixed relative to the base component, and wherein the step of moving the element comprises the step of intermittently passing a flux shunt member adjacent to pole faces of the plurality of permanent magnets so as to provide a magnetic flux shunt path between the pole faces of the plurality of permanent magnets, to produce the varying magnetic field.

47. The method of Claim 44, wherein the plurality of permanent magnets are moved laterally back and forth past the receiver coil to vary the magnetic field.

48. The method of Claim 44, wherein the plurality of permanent magnets are radially movable on a support that is rotated to produce the varying magnetic field, further comprising the steps of:

(a) forcing the plurality of permanent magnets toward each other when the support is at rest to reduce a startup torque required to begin rotating the support; and

(b) adjusting a separation between the plurality of permanent magnets when the support is rotated, to change a magnitude of the magnetic field coupled to the receiver coil.

49. The method of Claim 41, wherein the step of selectively varying the maximum magnetic field intensity comprises the steps of:

(a) providing a plurality of turns of a conductor wound around said permanent magnet;

(b) causing an electrical current to flow through the plurality of turns of the conductor to selectively adjust a maximum value of the magnetic field produced by said permanent magnet, said electrical current producing a magnetic field that either increases or reduces the magnetic field generated by the permanent magnet.

50. The method of Claim 41, wherein said element is moved sufficiently fast to magnetically couple energy into an air core receiver coil.

51. The method of Claim 41, further comprising the step of providing an indication of whether the receiver component is aligned with the base component.

52. The method of Claim 33, further comprising the step of providing an indication of whether the battery is being charged by the conditioned current.

53. The method of Claim 33, further comprising the step of providing an indication of whether the battery is fully charged.

54. The method of Claim 33, wherein the receiver component is electrically connected to a portable device.

55. The method of Claim 33, wherein the receiver component comprises a portable device.

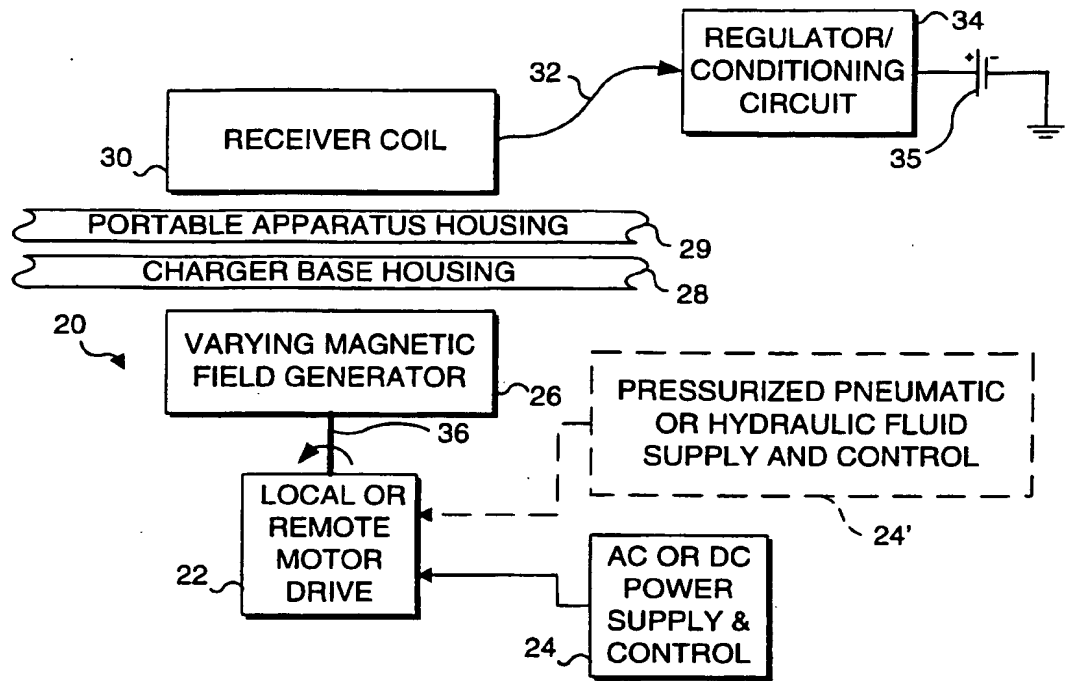


FIG. 1

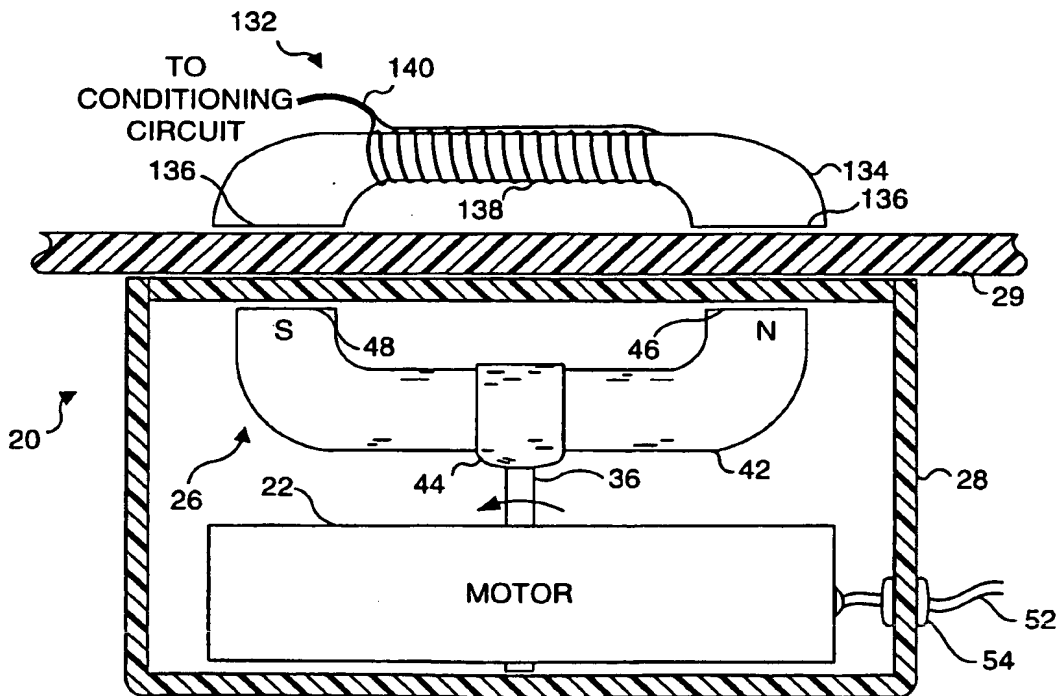


FIG. 2

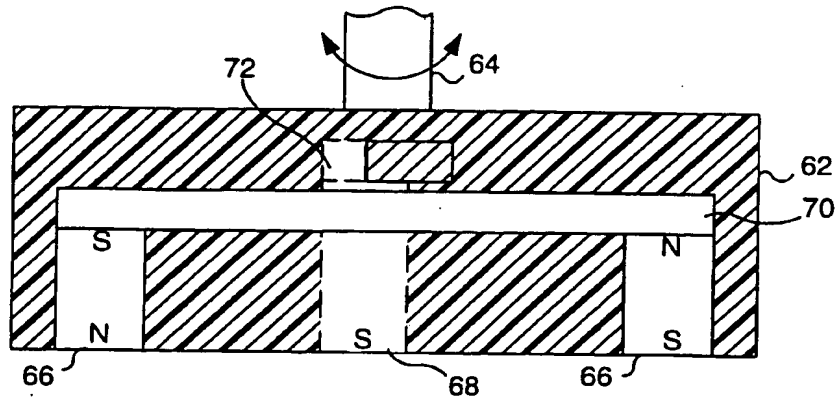


FIG. 3A

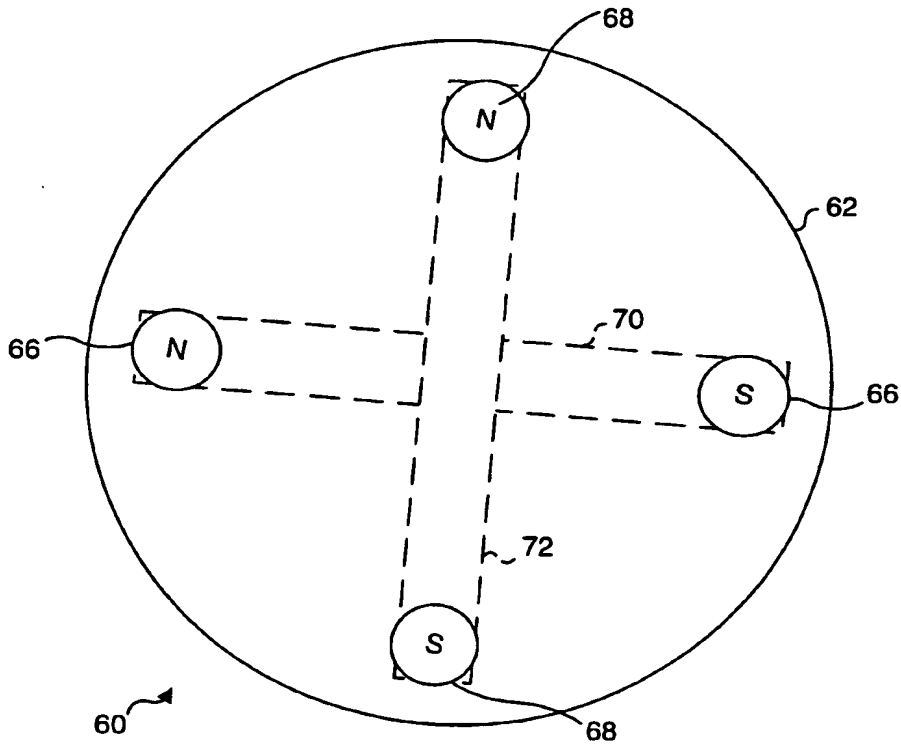


FIG. 3B

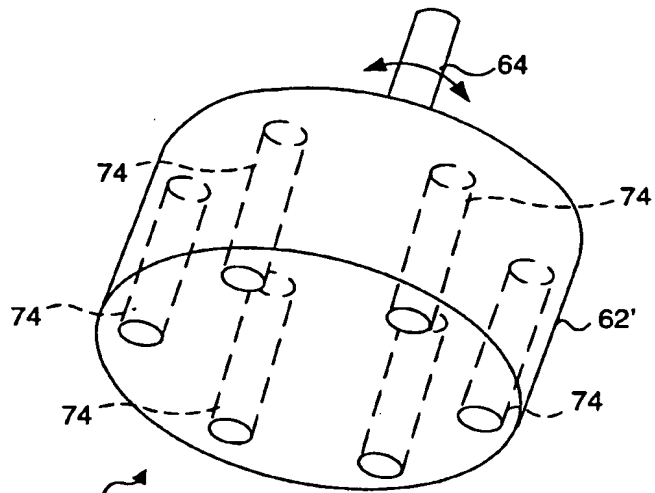


FIG. 3C

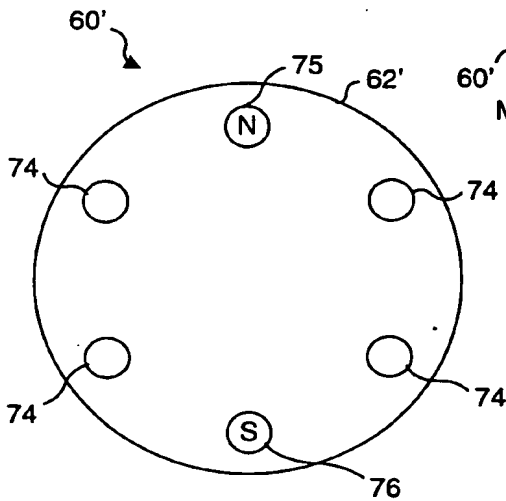


FIG. 3D

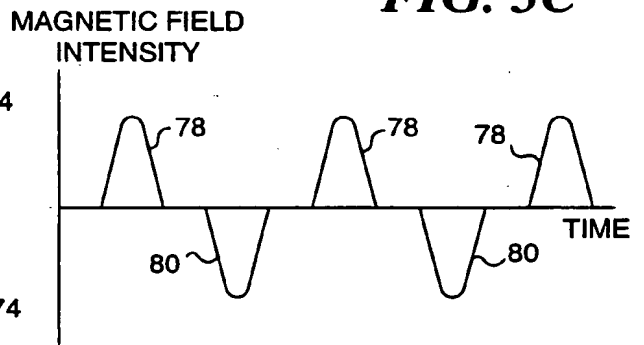


FIG. 3D'

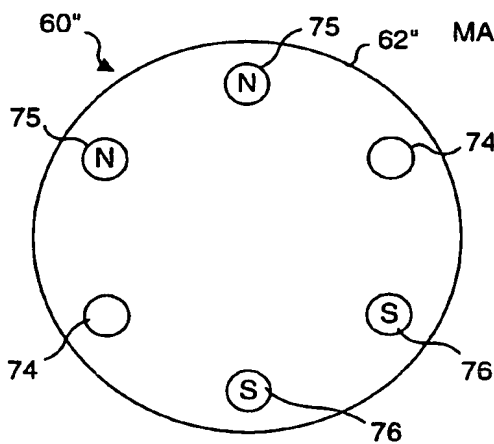


FIG. 3E

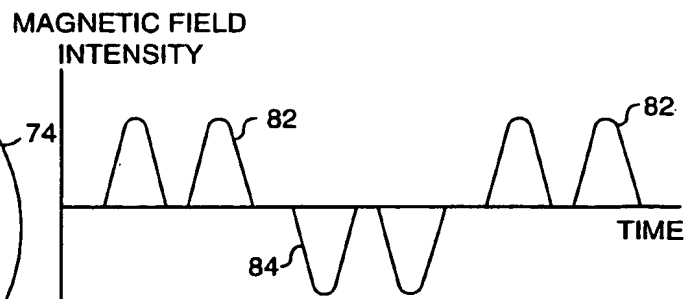


FIG. 3E'

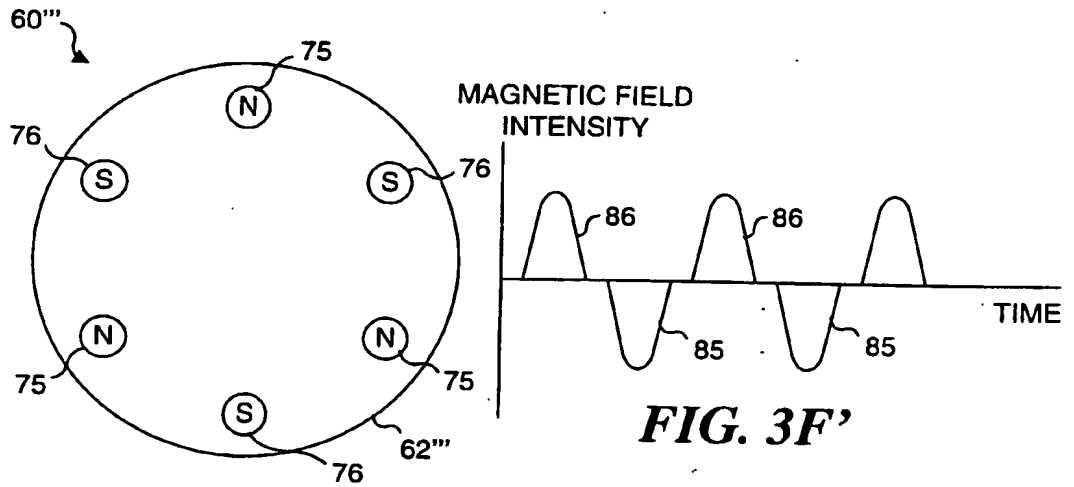


FIG. 3F'

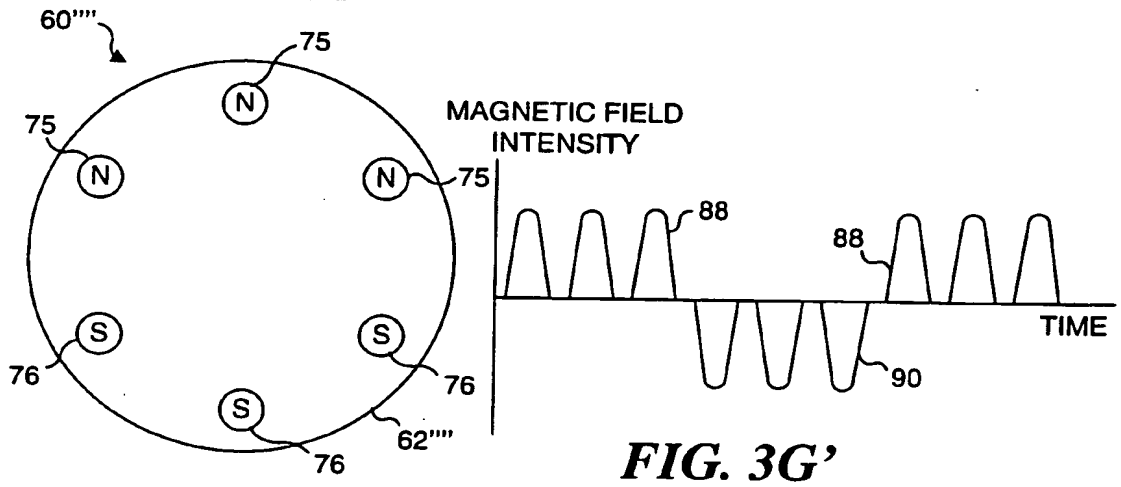


FIG. 3G'

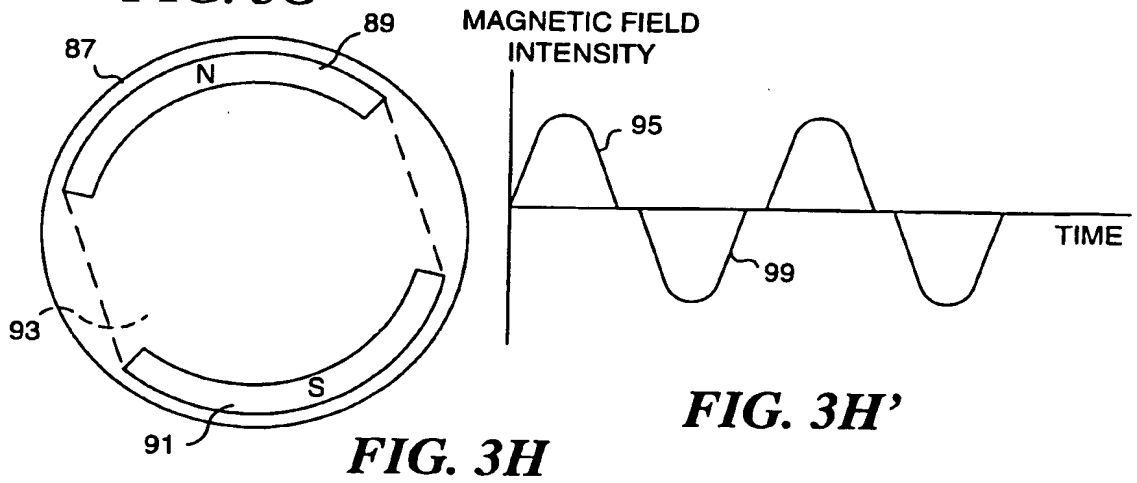


FIG. 3H

FIG. 3H'

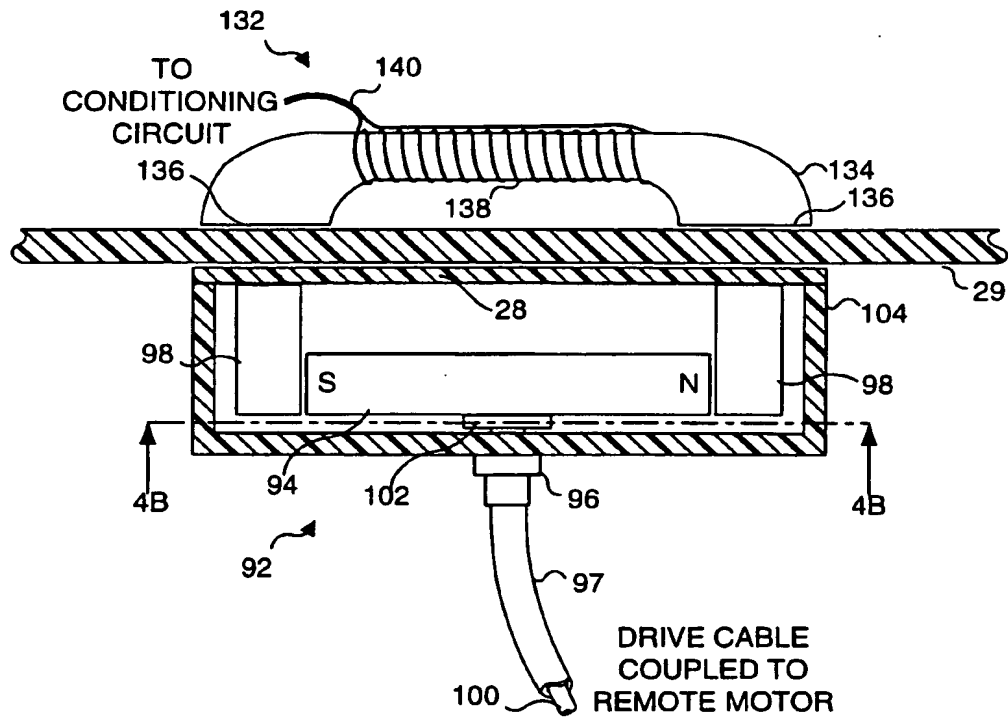


FIG. 4A

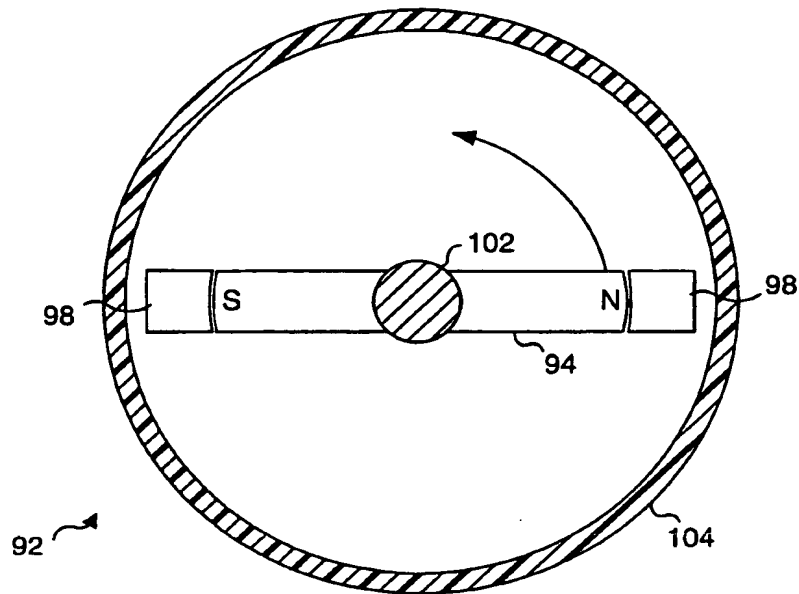


FIG. 4B

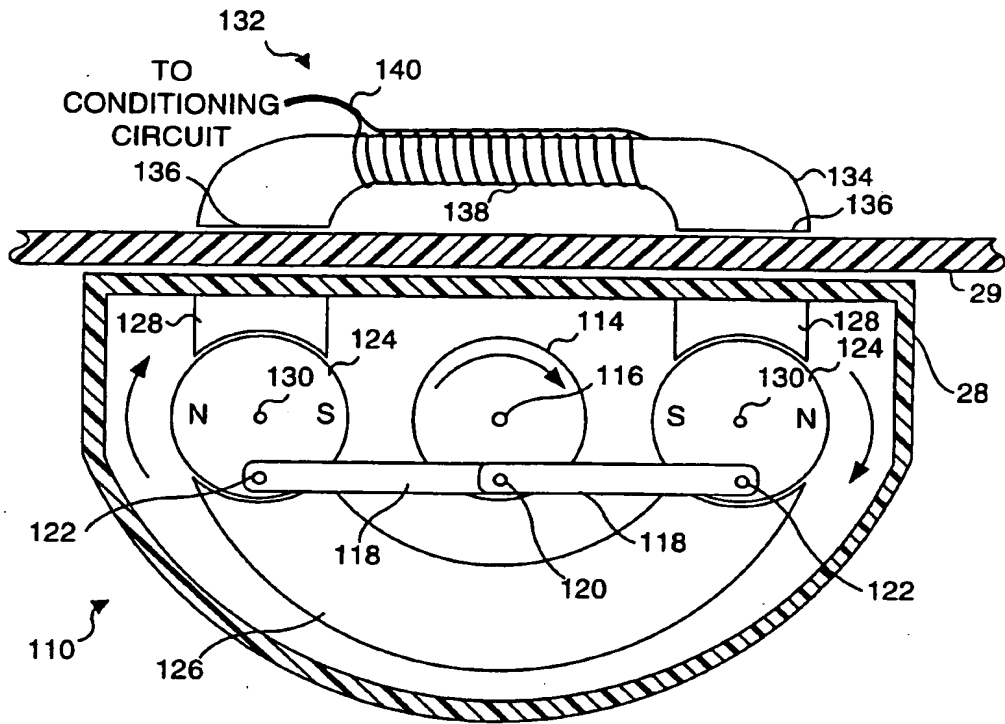


FIG. 5

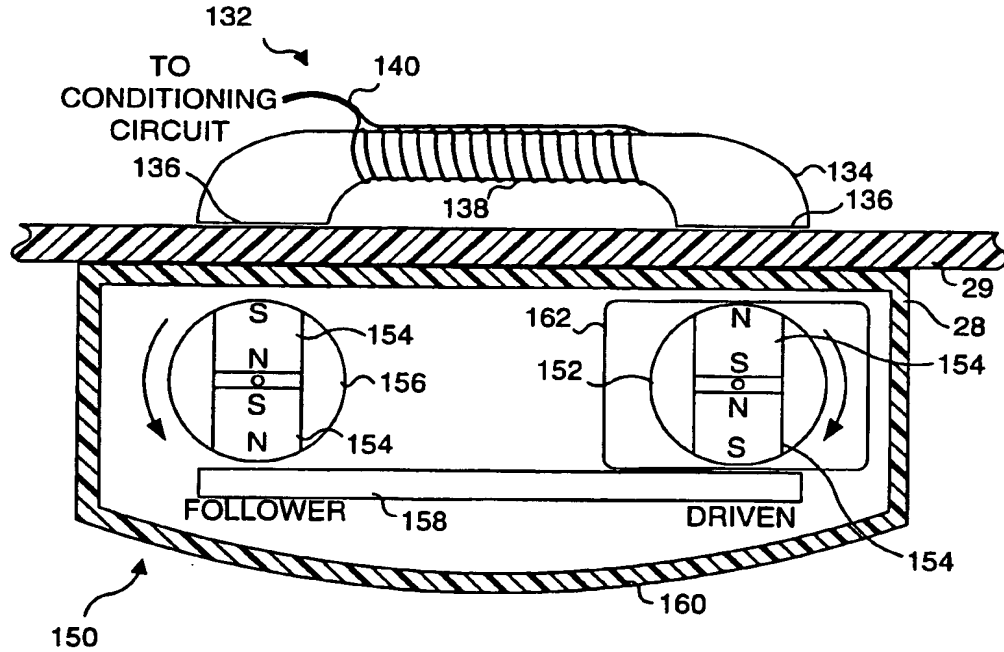
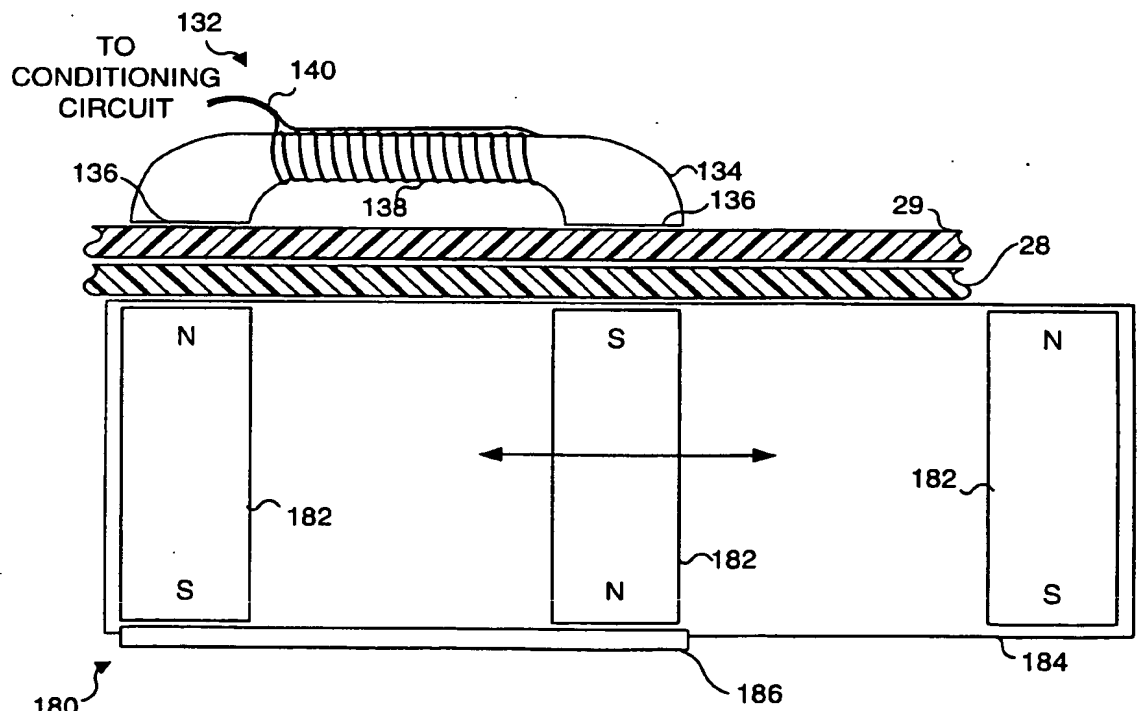
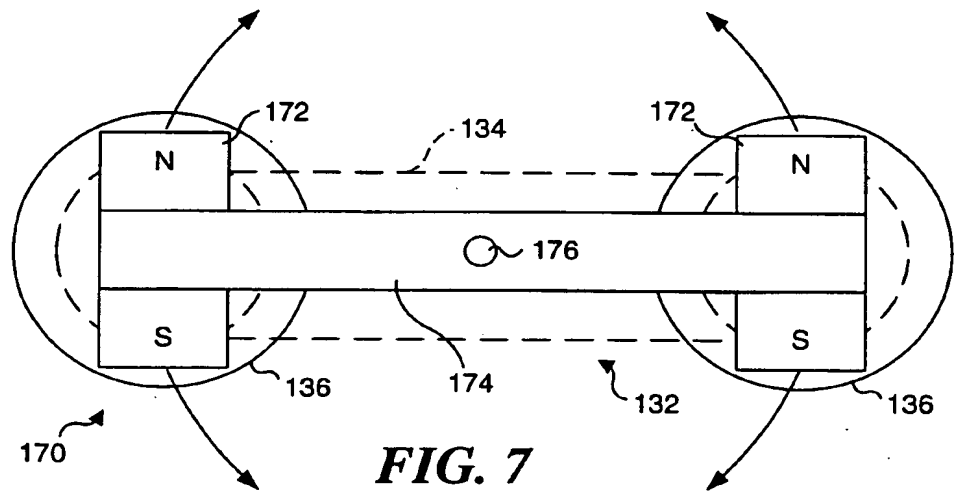
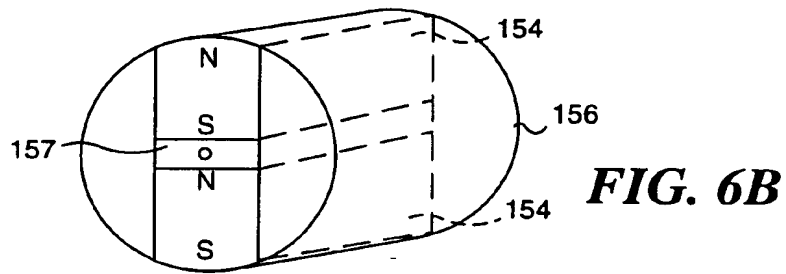


FIG. 6A



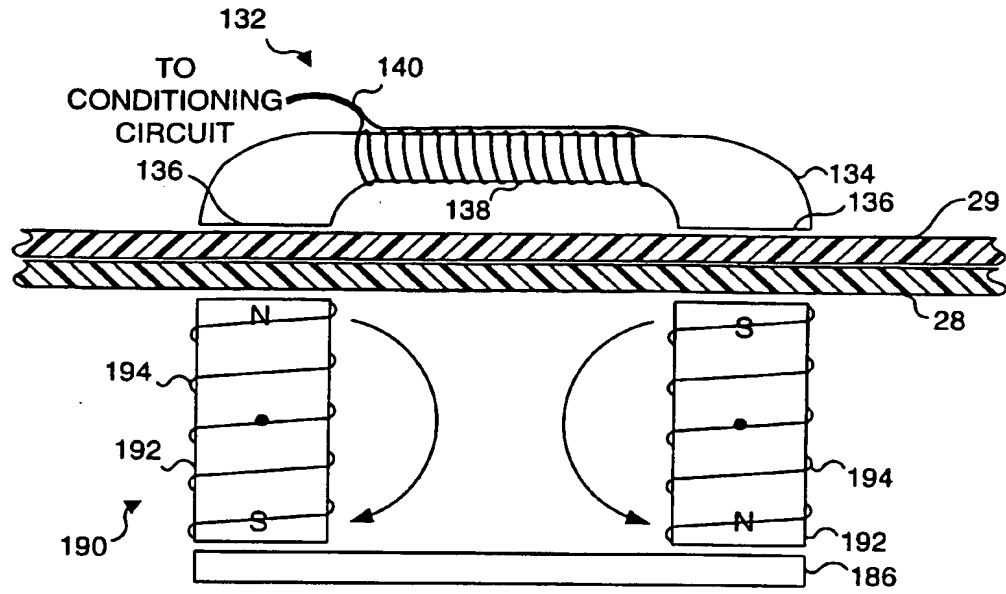


FIG. 9

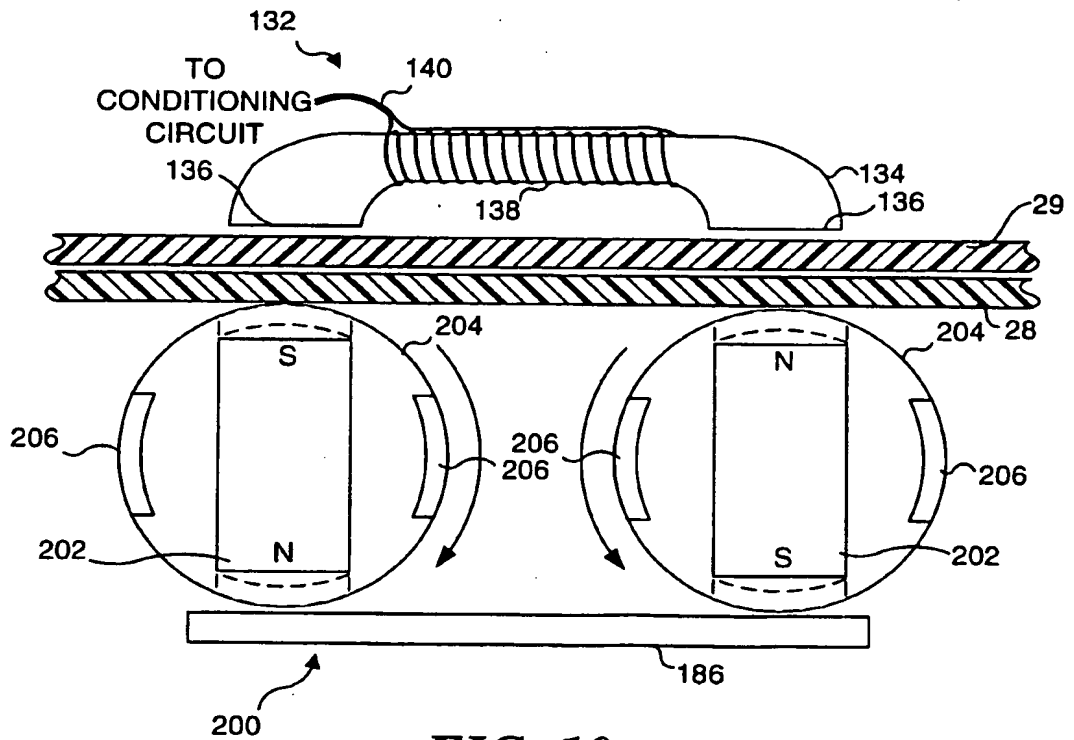


FIG. 10

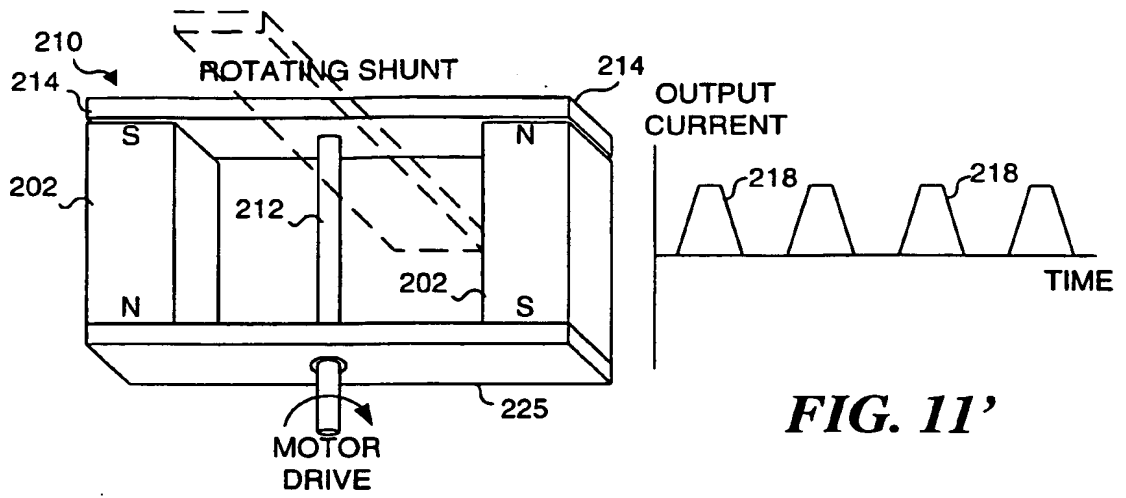


FIG. 11'

FIG. 11

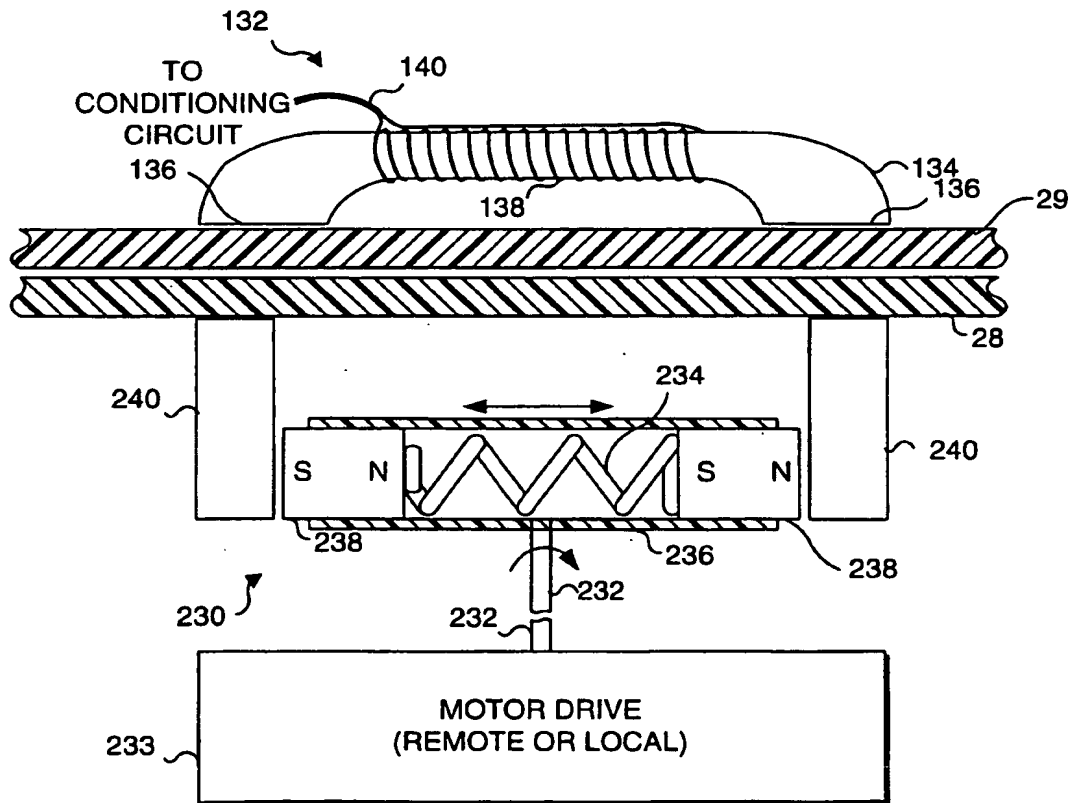


FIG. 12

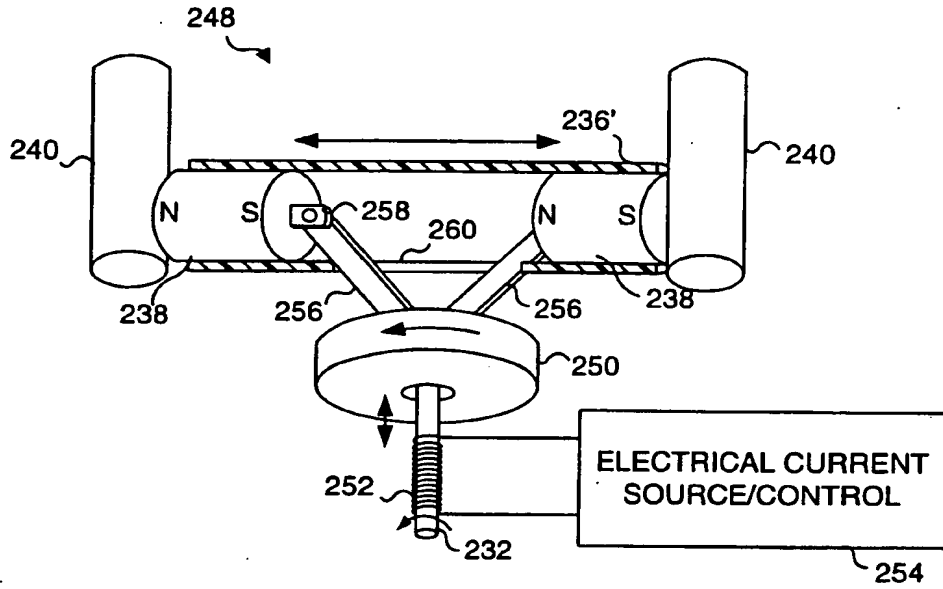


FIG. 13A

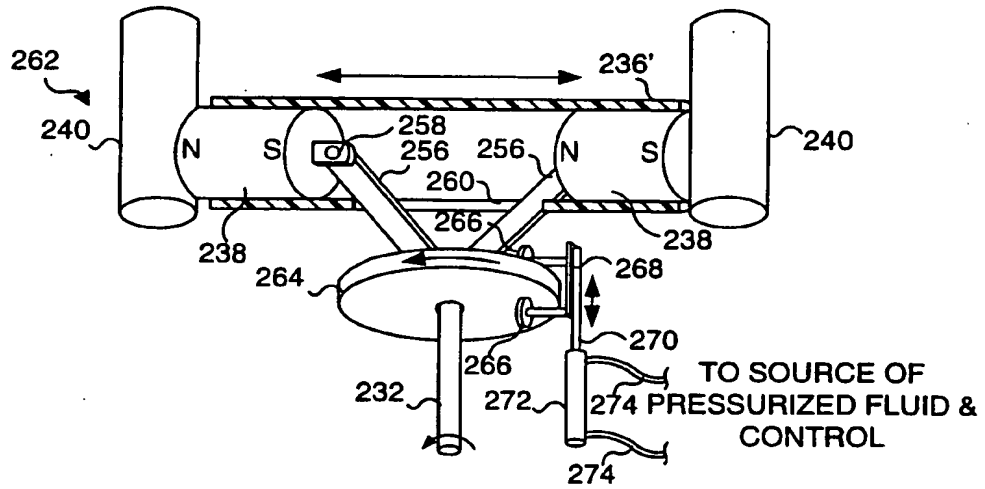


FIG. 13B

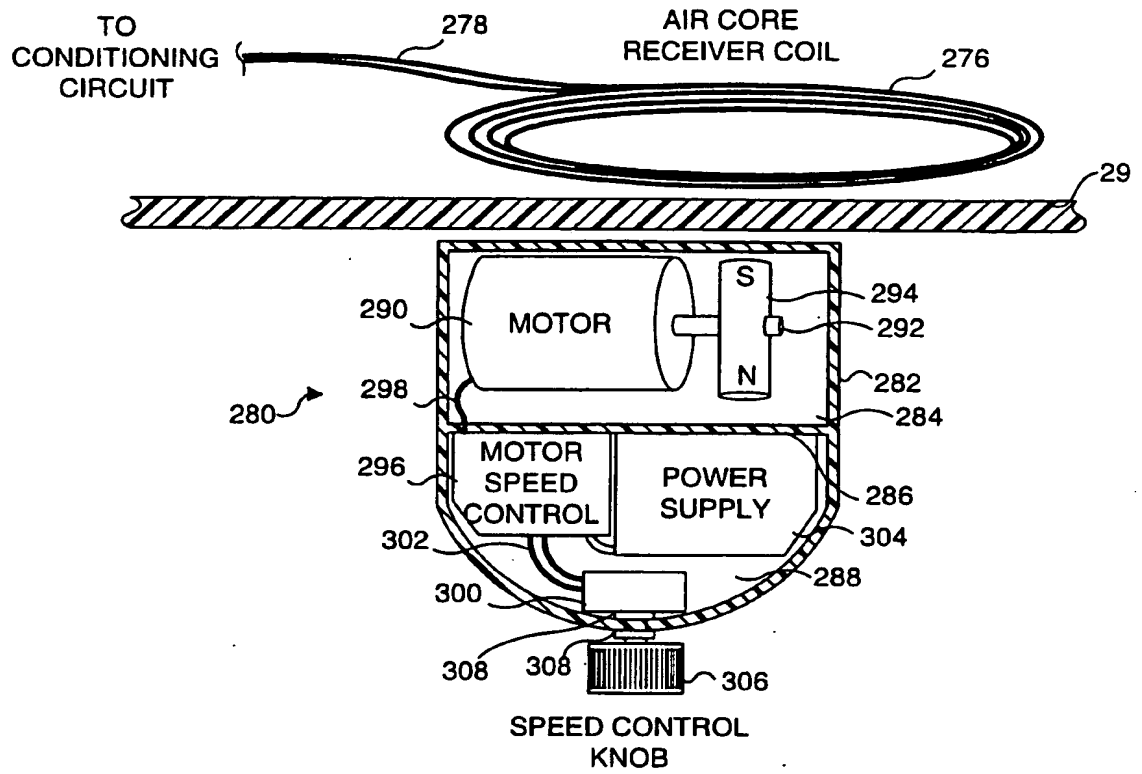


FIG. 14

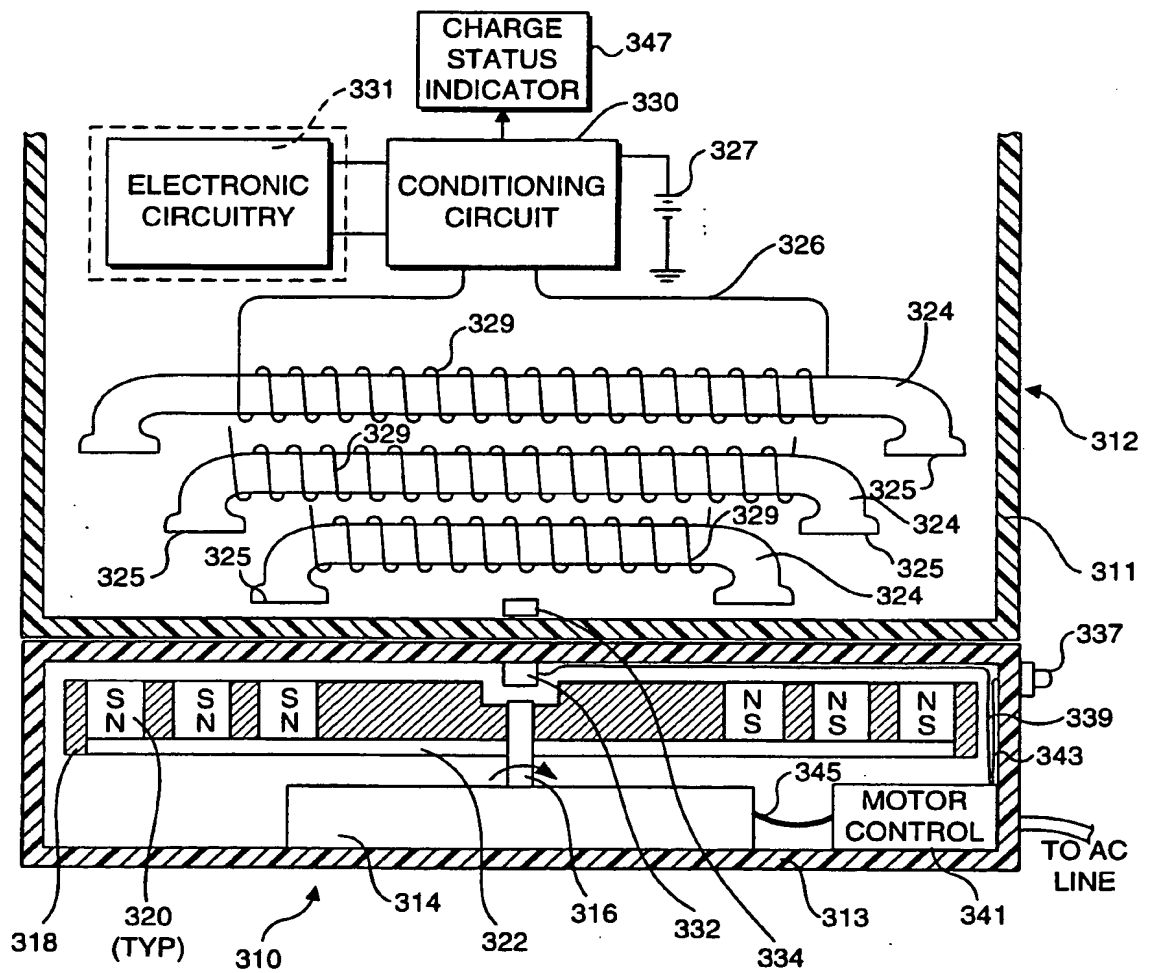


FIG. 15A

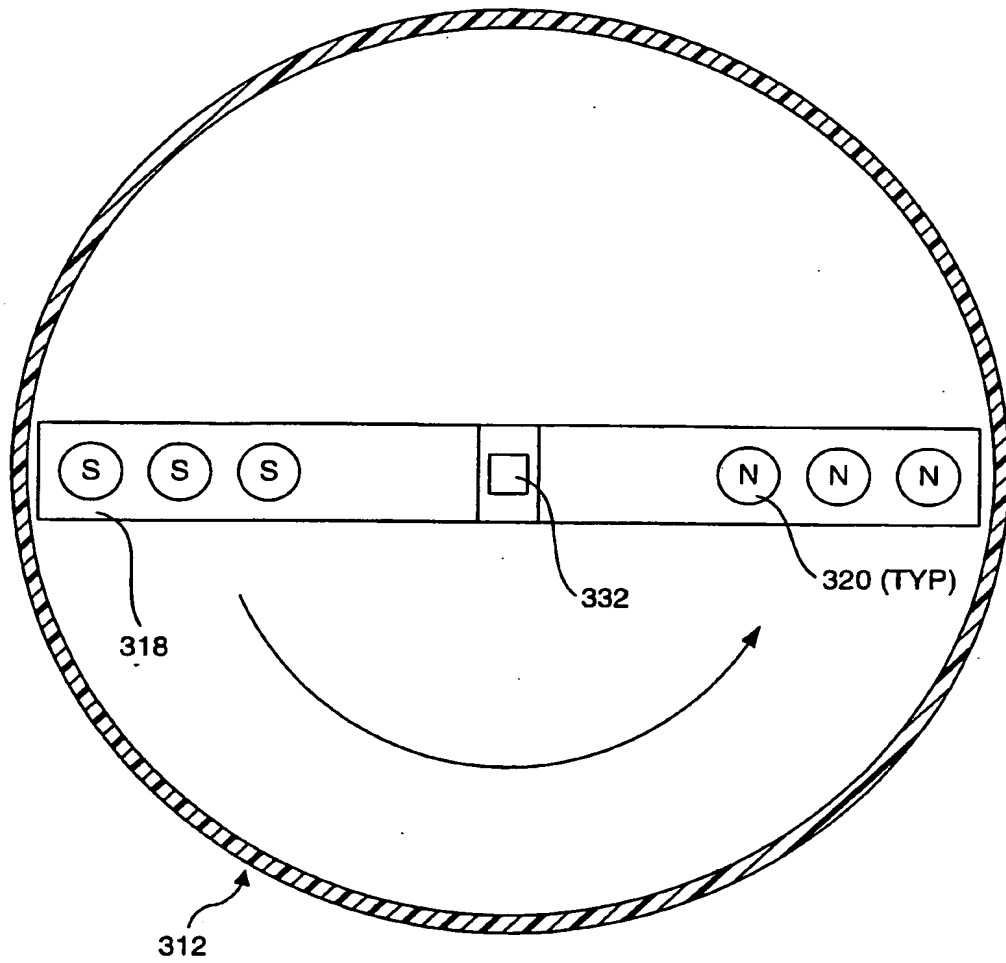
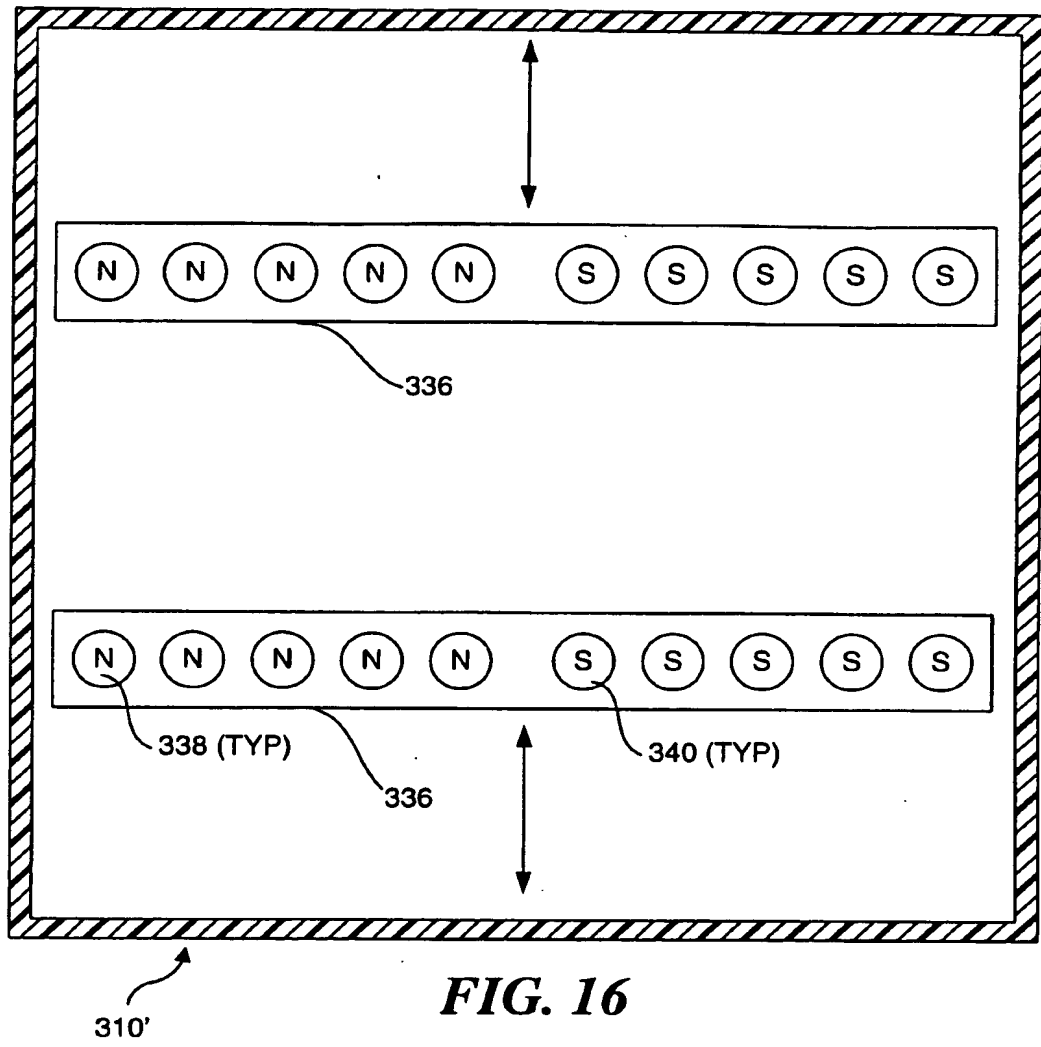


FIG. 15B



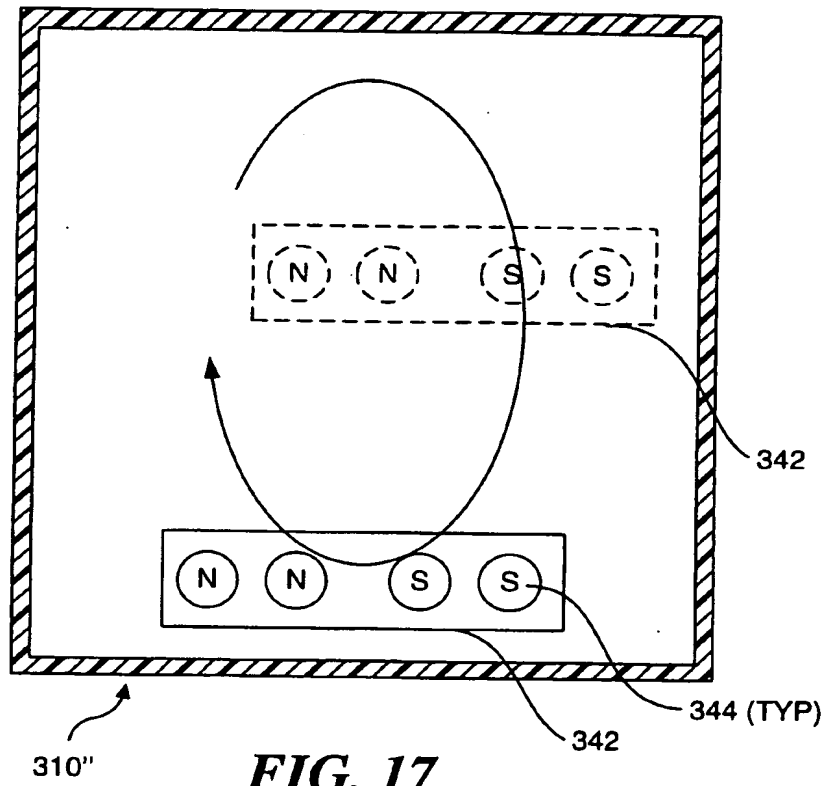


FIG. 17

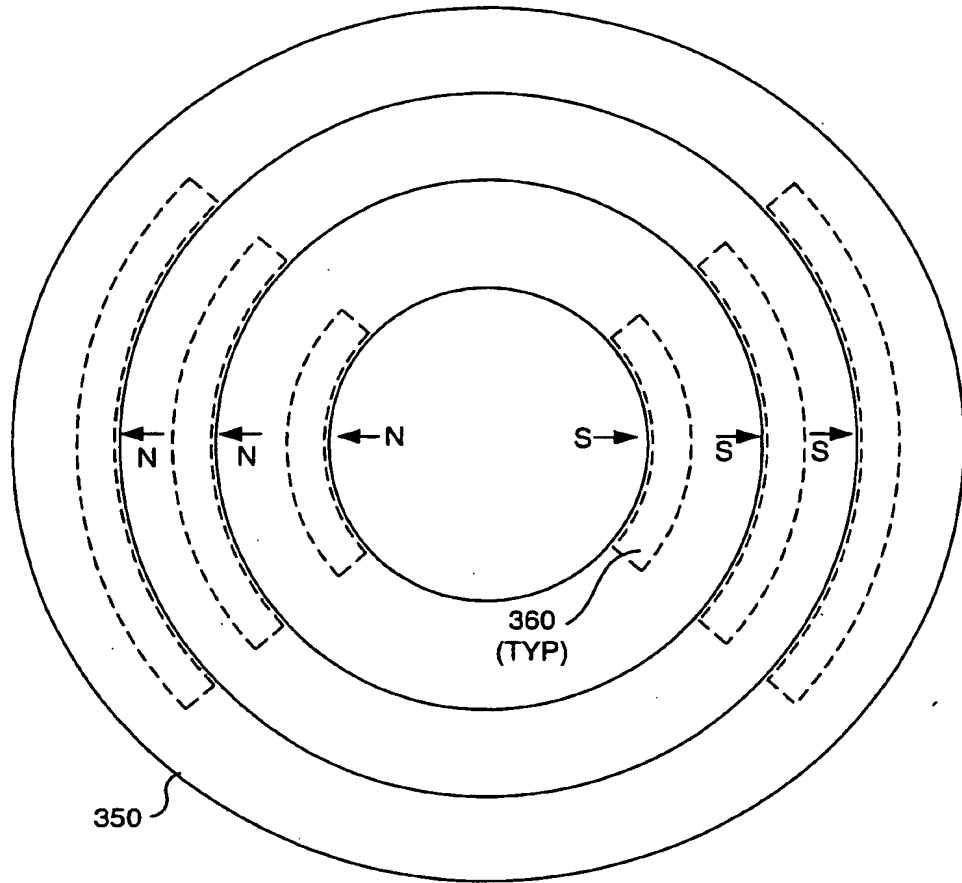


FIG. 18A

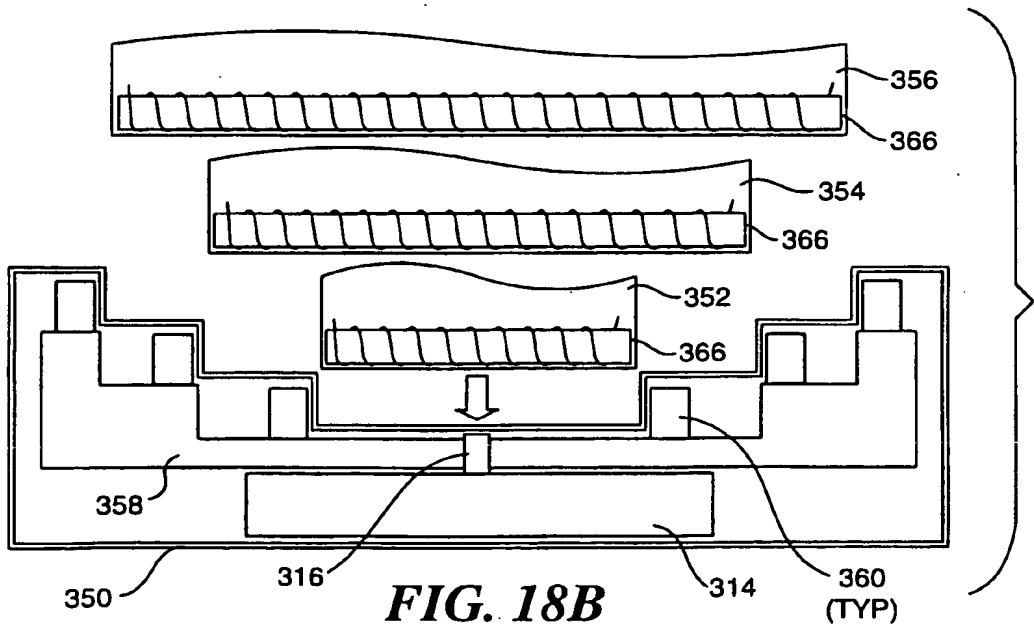


FIG. 18B

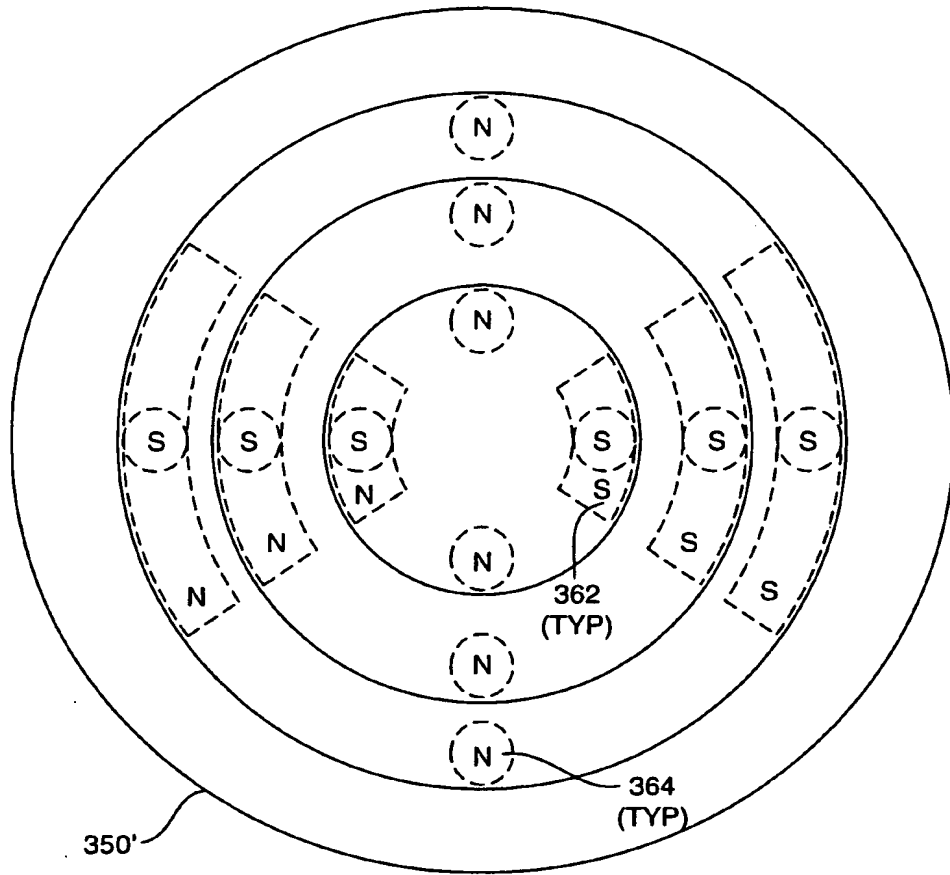


FIG. 19A

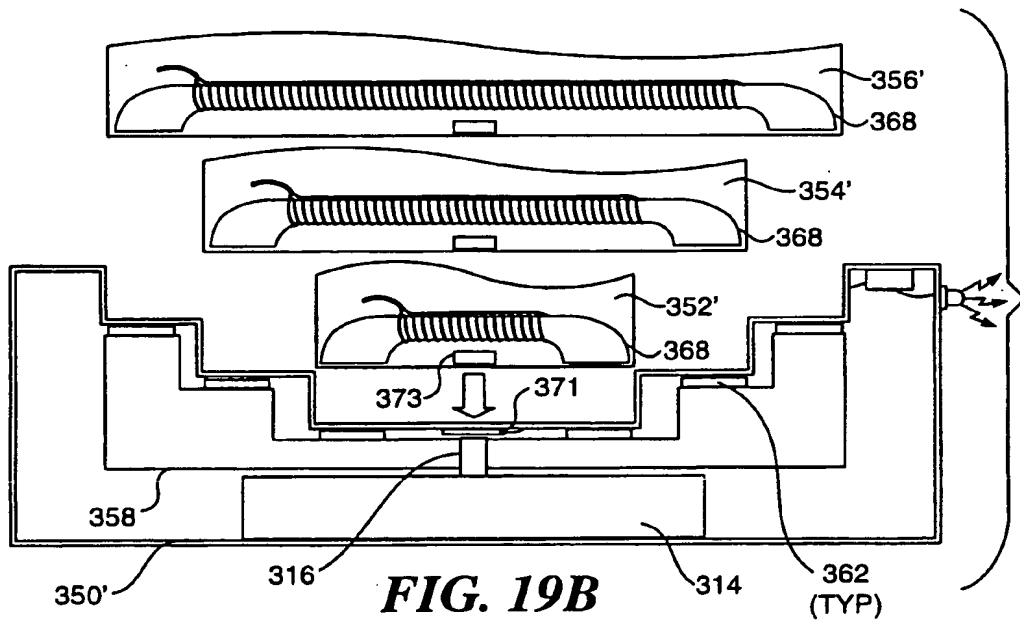


FIG. 19B

INTERNATIONAL SEARCH REPORT

International application No.
PCT/US01/11545

A. CLASSIFICATION OF SUBJECT MATTER																									
IPC(7) : H02K 01/27, 35/02; H01M 10/46 US CL : 320/108; 310/156.01, 156.32, 156.36 According to International Patent Classification (IPC) or to both national classification and IPC																									
B. FIELDS SEARCHED																									
Minimum documentation searched (classification system followed by classification symbols) U.S. : 320/108; 310/156.01, 156.32, 156.36																									
Documentation searched other than minimum documentation to the extent that such documents are included in the fields searched NONE																									
Electronic data base consulted during the international search (name of data base and, where practicable, search terms used) NONE																									
C. DOCUMENTS CONSIDERED TO BE RELEVANT																									
Category*	Citation of document, with indication, where appropriate, of the relevant passages	Relevant to claim No.																							
A	US 4,511,777 A (GERARD) 16 APRIL 1985 (16-04-1985), abstract.	1-55																							
Y	US 5,550,452 A (SHIRAI et al.) 27 AUGUST 1996 (27-08-1996), col.3, lines 4-9, 54-61.	1-8, 11-15, 21-24, 27-28, 30-31																							
A	US 4,798,926 A (SAKAI) 17 JANUARY 1989 (17-01-1989), abstract.	1																							
Y	US 5,959,433 A (ROHDE) 28 SEPTEMBER 1999 (28-08-1999), col.3, lines 28-50.	33-37, 39, 41-44, 54-55																							
Y	US 3,672,352 A (SUMMERS) 27 JUNE 1972 (27-06-1972), Fig.9, col.5, lines 55-65.	1-8, 11-15, 21-24, 27-28, 30-31, 33-37, 41-44, 50-55																							
<input checked="" type="checkbox"/> Further documents are listed in the continuation of Box C. <input type="checkbox"/> See patent family annex.																									
<table border="0"> <tr> <td>* Special categories of cited documents:</td> <td>*T</td> <td>later document published after the international filing date or priority date and not in conflict with the application but cited to understand the principle or theory underlying the invention</td> </tr> <tr> <td>*A</td> <td>document defining the general state of the art which is not considered to be of particular relevance</td> <td>*X</td> <td>document of particular relevance; the claimed invention cannot be considered novel or cannot be considered to involve an inventive step when the document is taken alone</td> </tr> <tr> <td>*E</td> <td>earlier document published on or after the international filing date</td> <td>*Y</td> <td>document of particular relevance; the claimed invention cannot be considered to involve an inventive step when the document is combined with one or more other such documents, such combination being obvious to a person skilled in the art</td> </tr> <tr> <td>*L</td> <td>document which may throw doubts on priority claim(s) or which is cited to establish the publication date of another citation or other special reason (as specified)</td> <td>*Z</td> <td>document member of the same patent family</td> </tr> <tr> <td>*O</td> <td>document referring to an oral disclosure, use, exhibition or other means</td> <td></td> <td></td> </tr> <tr> <td>*P</td> <td>document published prior to the international filing date but later than the priority date claimed</td> <td></td> <td></td> </tr> </table>			* Special categories of cited documents:	*T	later document published after the international filing date or priority date and not in conflict with the application but cited to understand the principle or theory underlying the invention	*A	document defining the general state of the art which is not considered to be of particular relevance	*X	document of particular relevance; the claimed invention cannot be considered novel or cannot be considered to involve an inventive step when the document is taken alone	*E	earlier document published on or after the international filing date	*Y	document of particular relevance; the claimed invention cannot be considered to involve an inventive step when the document is combined with one or more other such documents, such combination being obvious to a person skilled in the art	*L	document which may throw doubts on priority claim(s) or which is cited to establish the publication date of another citation or other special reason (as specified)	*Z	document member of the same patent family	*O	document referring to an oral disclosure, use, exhibition or other means			*P	document published prior to the international filing date but later than the priority date claimed		
* Special categories of cited documents:	*T	later document published after the international filing date or priority date and not in conflict with the application but cited to understand the principle or theory underlying the invention																							
*A	document defining the general state of the art which is not considered to be of particular relevance	*X	document of particular relevance; the claimed invention cannot be considered novel or cannot be considered to involve an inventive step when the document is taken alone																						
*E	earlier document published on or after the international filing date	*Y	document of particular relevance; the claimed invention cannot be considered to involve an inventive step when the document is combined with one or more other such documents, such combination being obvious to a person skilled in the art																						
*L	document which may throw doubts on priority claim(s) or which is cited to establish the publication date of another citation or other special reason (as specified)	*Z	document member of the same patent family																						
*O	document referring to an oral disclosure, use, exhibition or other means																								
*P	document published prior to the international filing date but later than the priority date claimed																								
Date of the actual completion of the international search 24 JUNE 2001		Date of mailing of the international search report 12 JUL 2001																							
Name and mailing address of the ISA/US Commissioner of Patents and Trademarks Box PCT Washington, D.C. 20231 Facsimile No. (703) 305-3230		Authorized officer BURTON S. MULLINS Telephone No. (703) 308-1371																							

INTERNATIONAL SEARCH REPORT

International application No.
PCT/US01/11545

C (Continuation). DOCUMENTS CONSIDERED TO BE RELEVANT		
Category*	Citation of document, with indication, where appropriate, of the relevant passages	Relevant to claim No.
Y	US 5,710,502 A (POUMEY) 20 JANUARY 1998 (01-01-1998), col. 3, lines 44-45, 54-57; col.5, lines 19-22.	24, 27-28, 33-34, 36-37, 41-42, 50- 53